
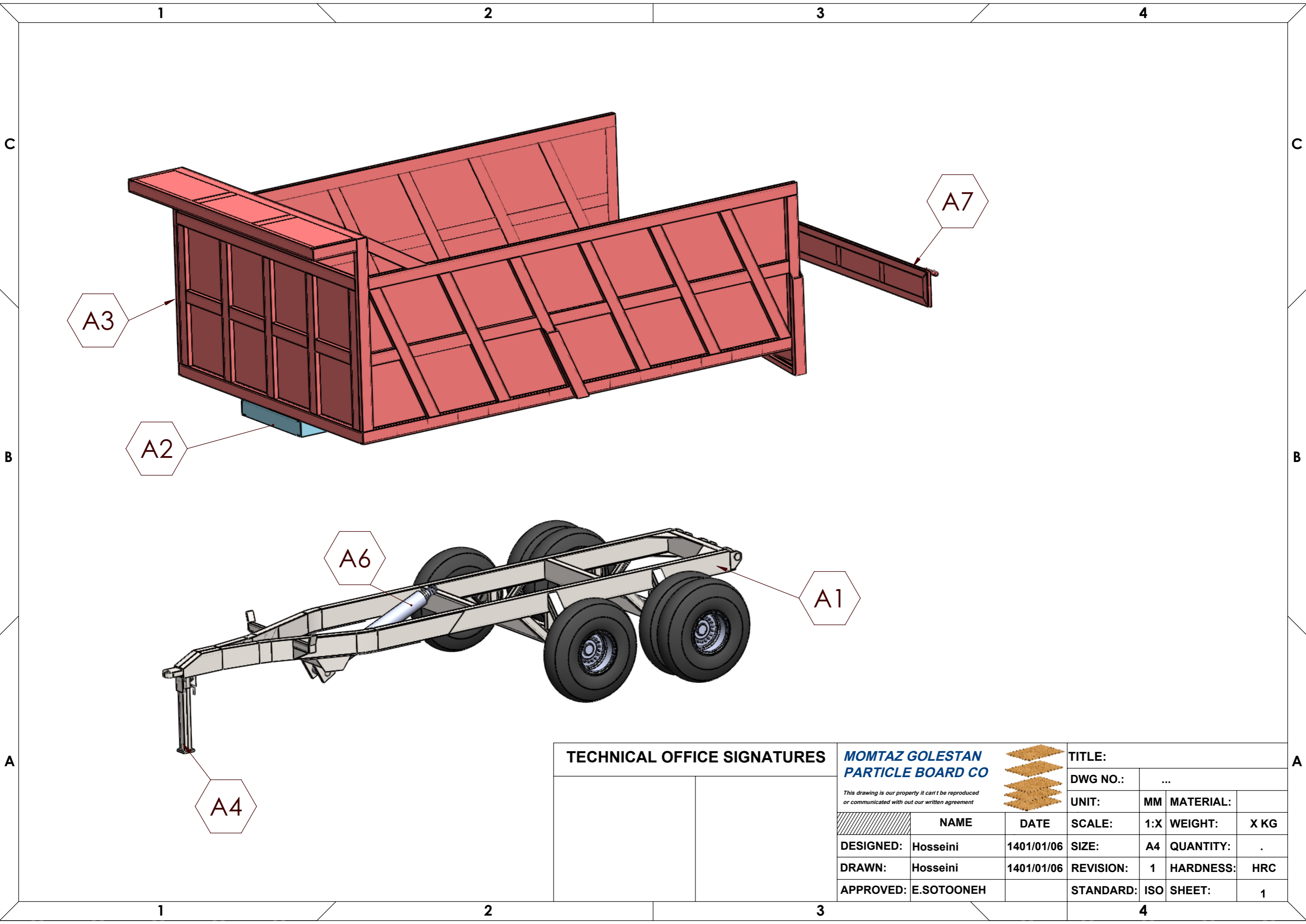


۱۳ عدد  
ناودانی ۱۲

VIEW F  
SCALE 1 : 35

وزن کل : ۴۱۸۸ کیلوگرم

TECHNICAL OFFICE SIGNATURES		MOMTAZ GOLESTAN PARTICLE BOARD CO		TITLE: تریلر یارد هیزم							
		<small>This drawing is our property it can't be reproduced or communicated with out our written agreement</small>		DWG NO.:							
				UNIT:	MM	MATERIAL:					
				SCALE:	1:X	WEIGHT:	X KG				
				DESIGNED:	Hosseini	DATE:	1402/08/17	SIZE:	A4	QUANTITY:	.
				DRAWN:	Hosseini	DATE:	1402/08/17	REVISION:	1	HARDNESS:	HRC
		APPROVED:	E.SOTOONEH	STANDARD:	ISO	SHEET:	1				



A3

A2

A6

A1

A7

A4

**TECHNICAL OFFICE SIGNATURES**

--	--

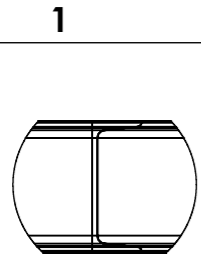
**MOMTAZ GOLESTAN  
PARTICLE BOARD CO**

This drawing is our property it can't be reproduced  
or communicated with out our written agreement



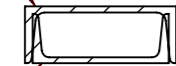
	NAME	DATE
DESIGNED:	Hosseini	1401/01/06
DRAWN:	Hosseini	1401/01/06
APPROVED:	E.SOTOONEH	

<b>TITLE:</b>			
DWG NO.:	...		
UNIT:	MM	MATERIAL:	
SCALE:	1:X	WEIGHT:	X KG
SIZE:	A4	QUANTITY:	.
REVISION:	1	HARDNESS:	HRC
STANDARD:	ISO	SHEET:	1



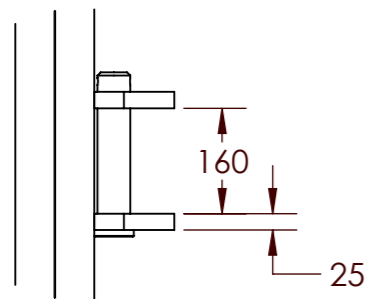
DETAIL AL  
SCALE 2 : 23

ناودانی ۲۰



ناودانی ۱۸

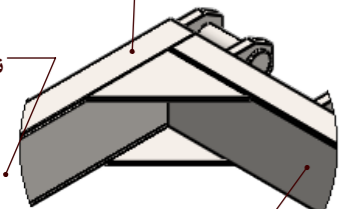
SECTION A-A  
SCALE 1 : 10



DETAIL M  
SCALE 2 : 23

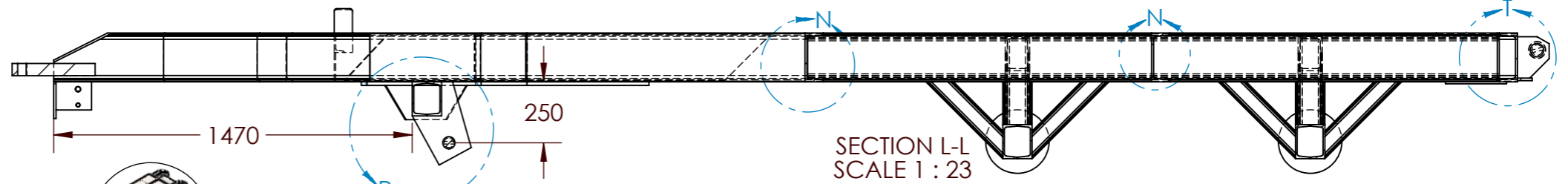
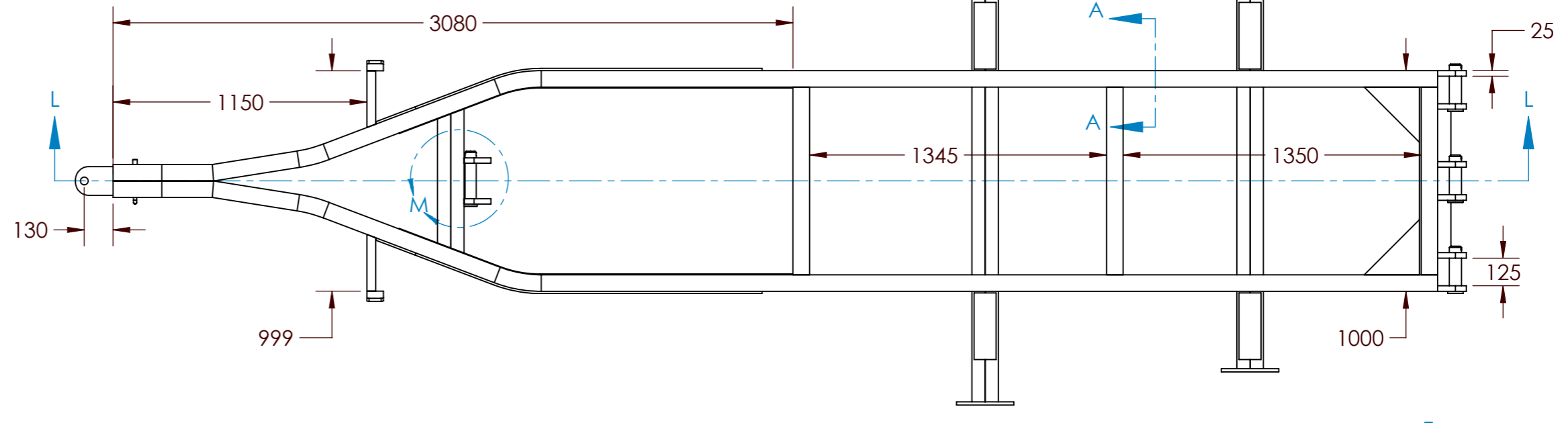
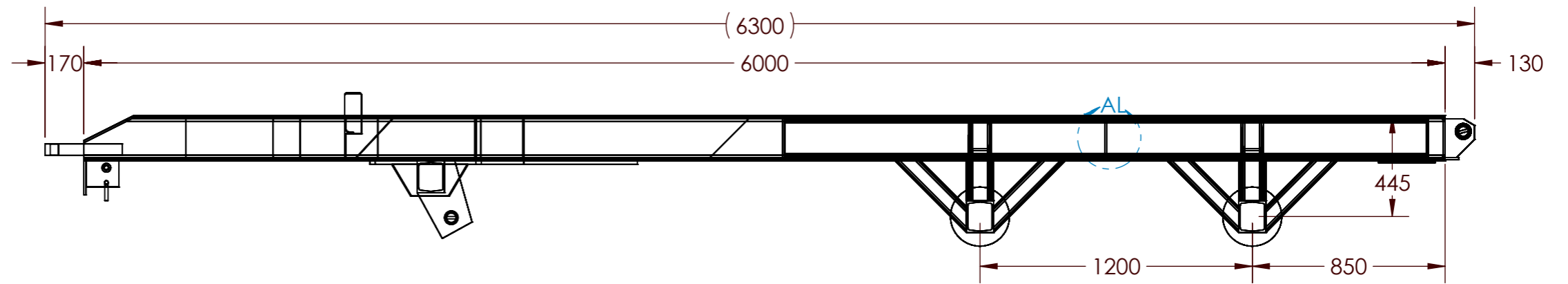
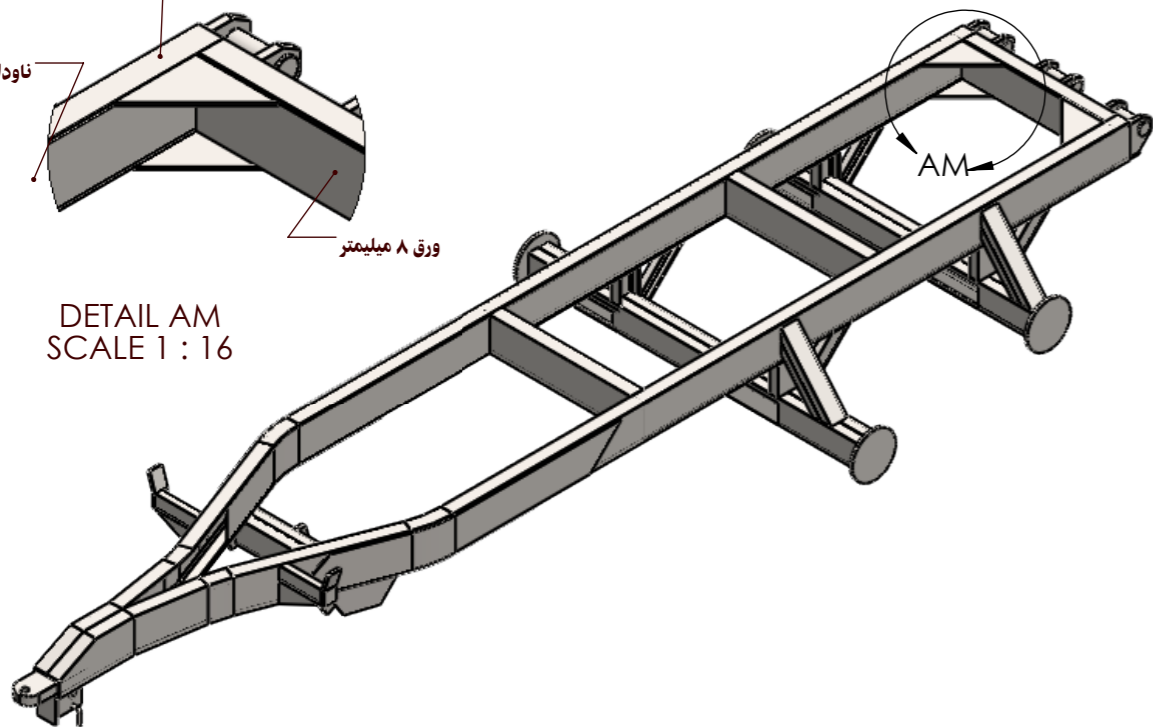
ناودانی ۲۰

ناودانی ۱۸

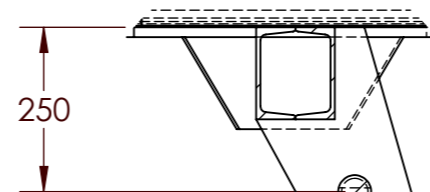


ورق ۸ میلیمتر

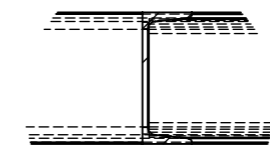
DETAIL AM  
SCALE 1 : 16



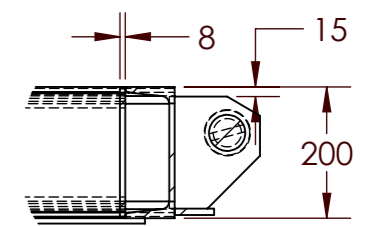
SECTION L-L  
SCALE 1 : 23



DETAIL R  
SCALE 2 : 23



DETAIL N  
SCALE 2 : 23

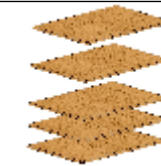


DETAIL T  
SCALE 2 : 23

TECHNICAL OFFICE SIGNATURES

**MOMTAZ GOLESTAN  
PARTICLE BOARD CO**

*This drawing is our property it can't be reproduced  
or communicated with out our written agreement*



TITLE:

DWG NO.: ...

UNIT: MM MATERIAL:

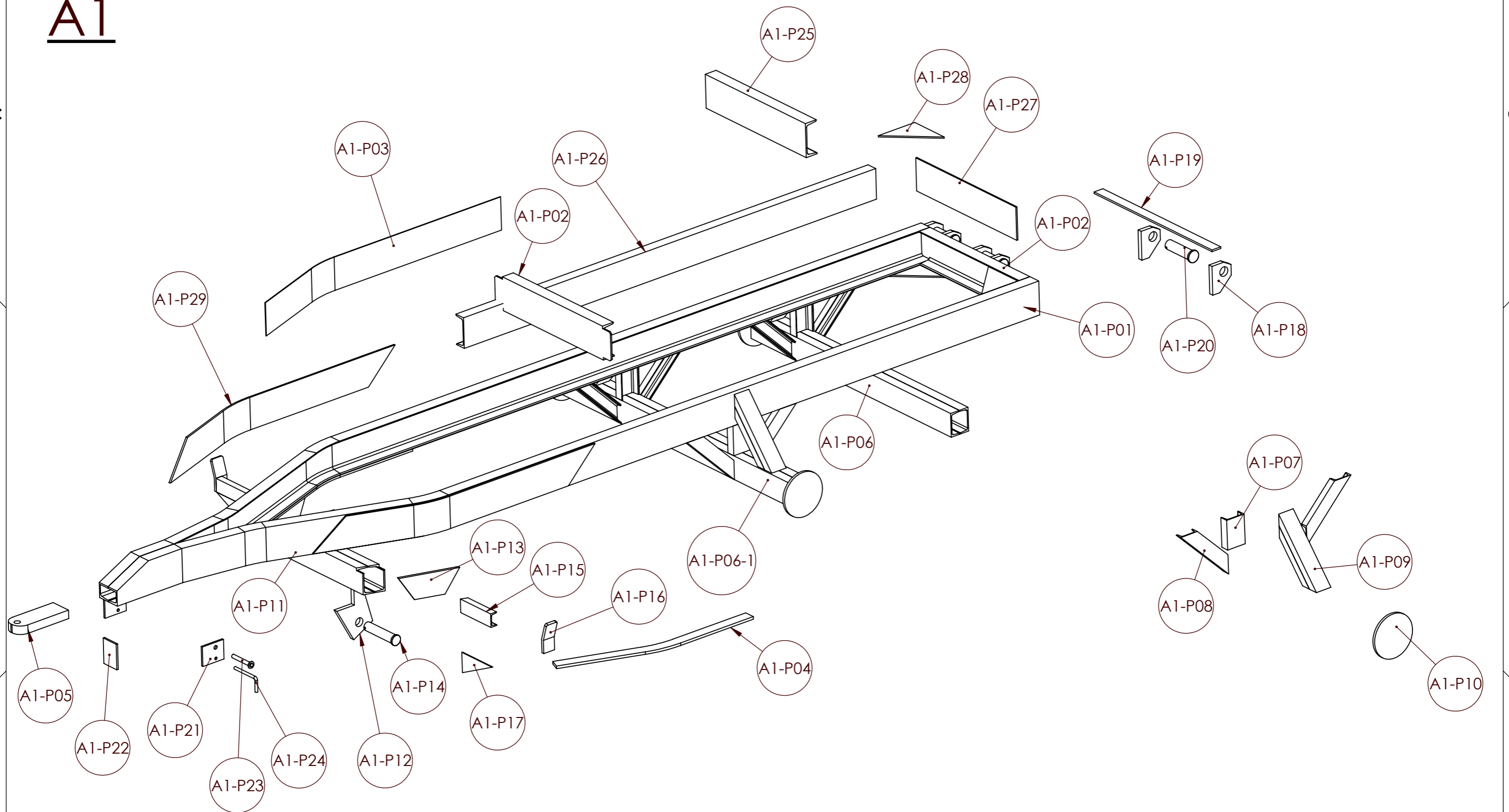
SCALE: 1:X WEIGHT: X KG


DESIGNED: Hosseini 1401/01/06 SIZE: A4 QUANTITY: .

DRAWN: Hosseini 1401/01/06 REVISION: 1 HARDNESS: HRC

APPROVED: E.SOTOONEH STANDARD: ISO SHEET: 1

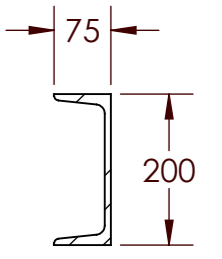
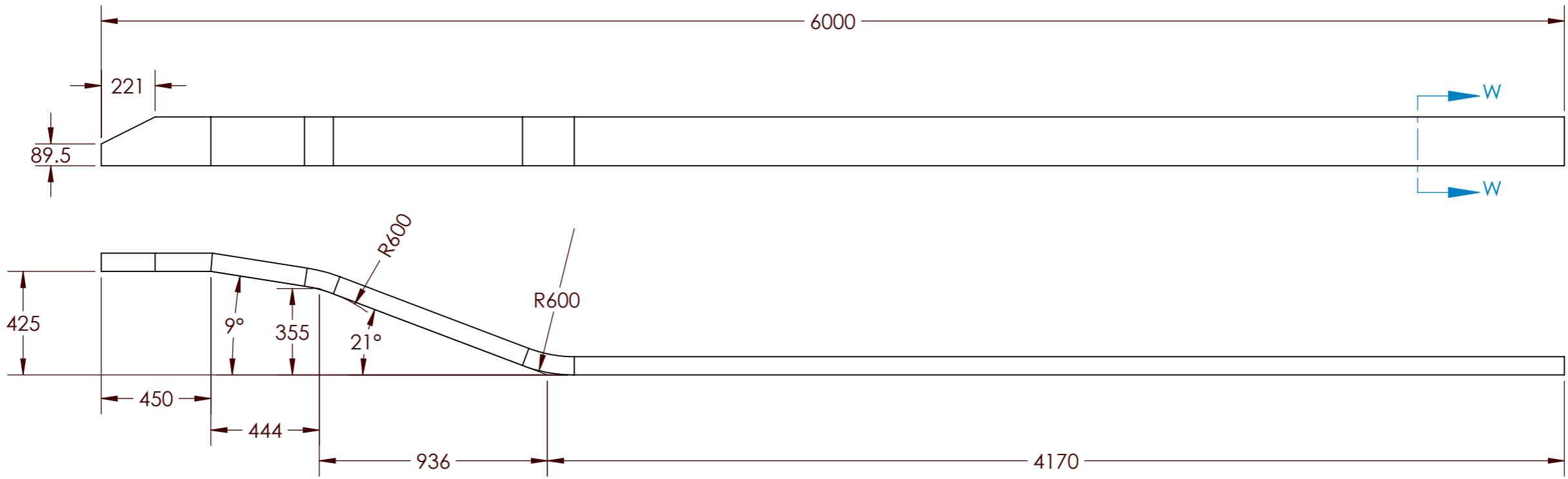
**A1**



TECHNICAL OFFICE SIGNATURES		<b>MOMTAZ GOLESTAN</b> <b>PARTICLE BOARD CO</b> 		TITLE:					
<p><i>This drawing is our property it can't be reproduced or communicated with out our written agreement</i></p>		DWG NO.:		...					
		UNIT:		MM	MATERIAL:				
		DESIGNED:		NAME	DATE	SCALE:	1:X	WEIGHT:	X KG
		DRAWN:		Hosseini	1401/01/06	SIZE:	A4	QUANTITY:	.
		APPROVED:		E.SOTOONEH		REVISION:	1	HARDNESS:	HRC
				STANDARD:	ISO	SHEET:	1		

**A1-P01**

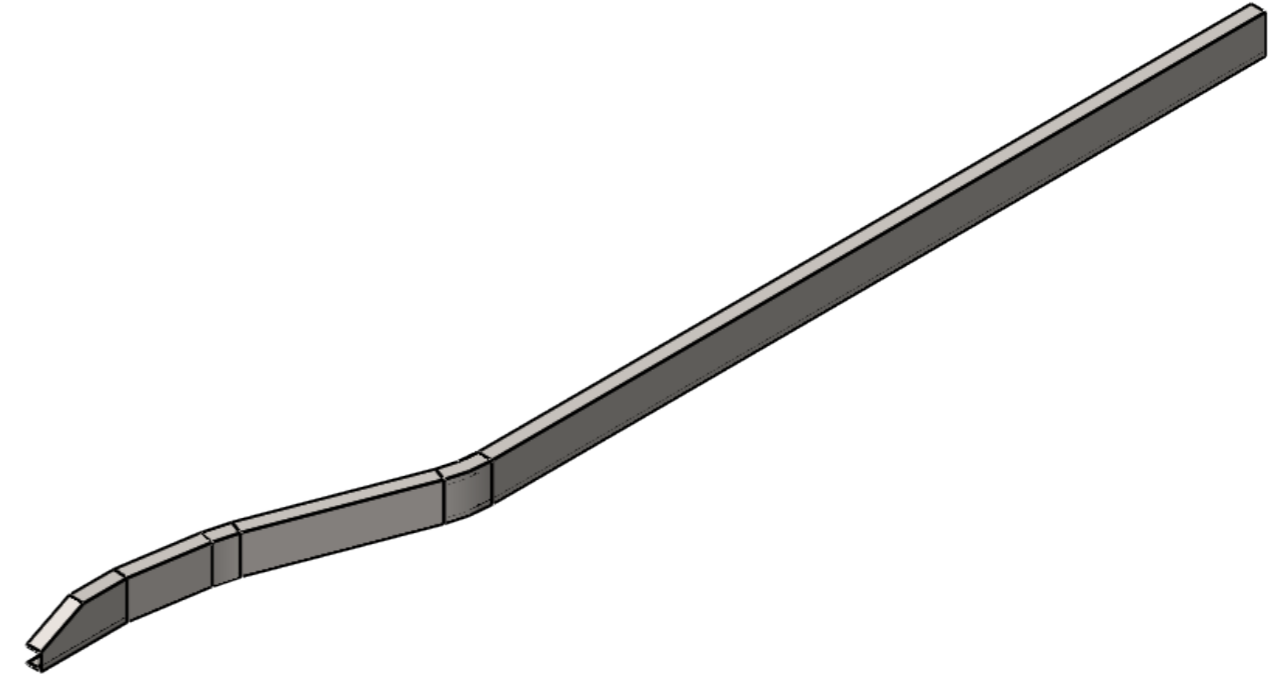
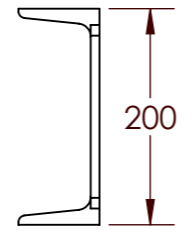
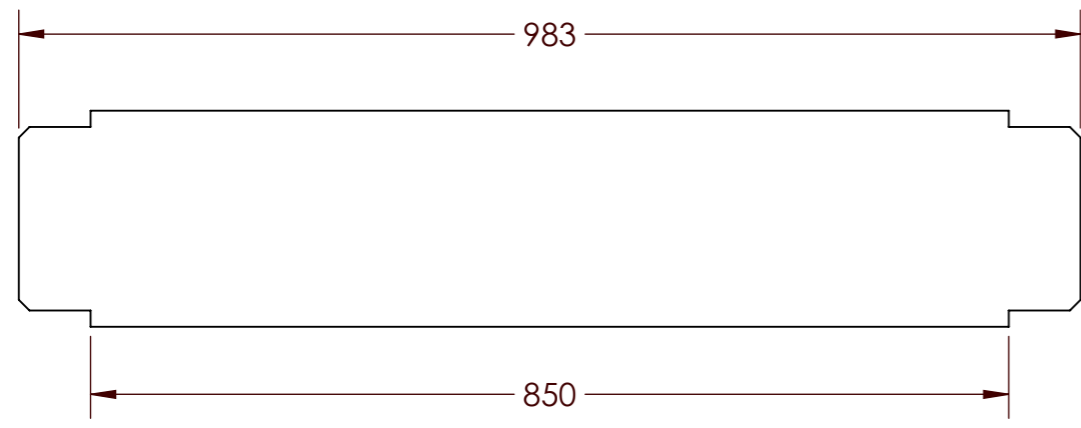
عدد ۲




SECTION W-W  
SCALE 1 : 10

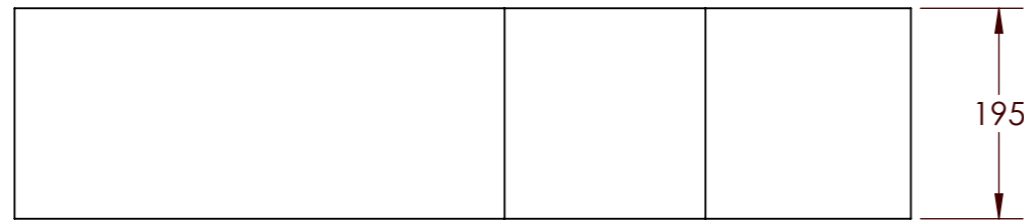
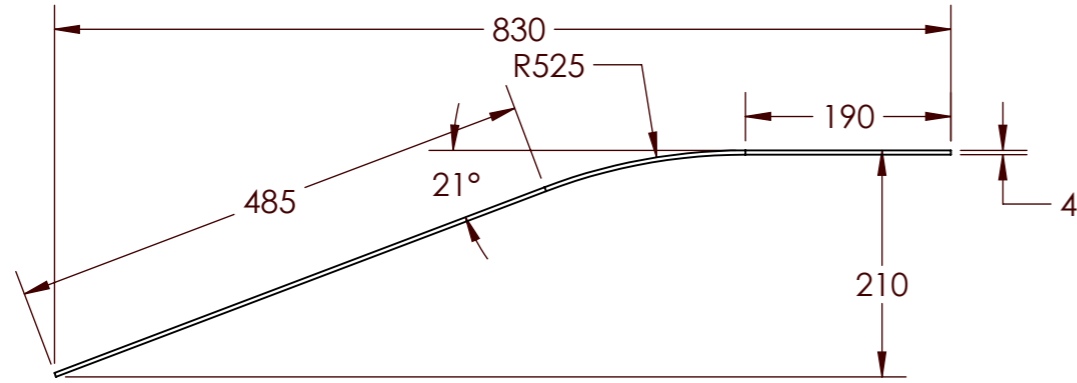
**A1-P02**

عدد ۳

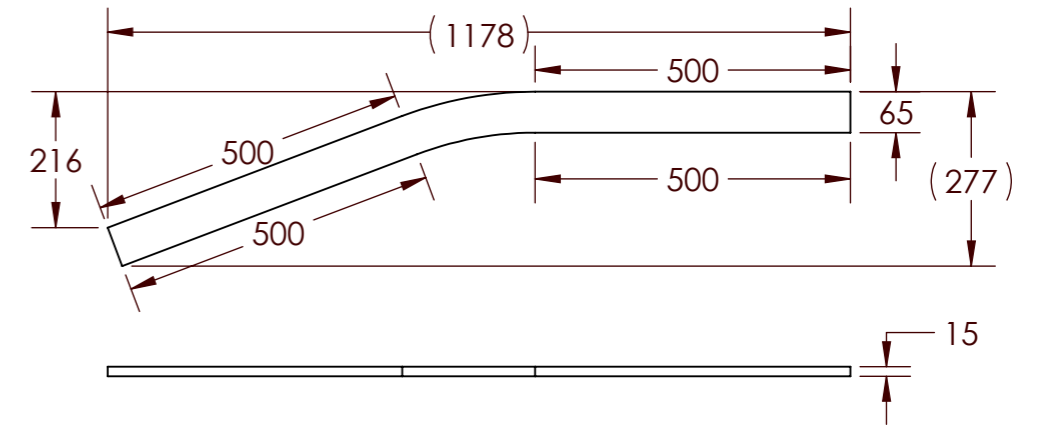


TECHNICAL OFFICE SIGNATURES		 <b>MOMTAZ GOLESTAN PARTICLE BOARD CO</b>		TITLE:			
<small>This drawing is our property it can't be reproduced or communicated with out our written agreement</small>				DWG NO.:	...		
				UNIT:	MM	MATERIAL:	
				SCALE:	1:X	WEIGHT:	X KG
	DESIGNED:	Hosseini	1401/01/06	SIZE:	A4	QUANTITY:	.
	DRAWN:	Hosseini	1401/01/06	REVISION:	1	HARDNESS:	HRC
APPROVED:	E.SOTOONEH		STANDARD:	ISO	SHEET:	1	

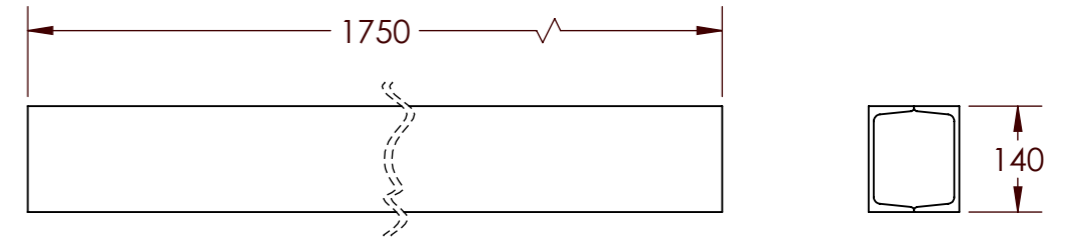
**A1-P03**  
۲ عدد



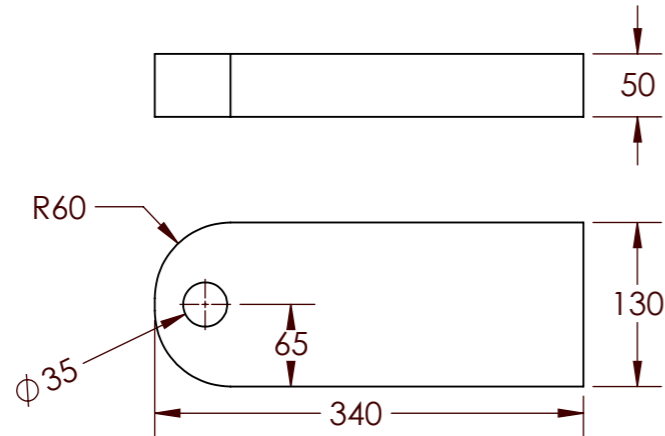
**A1-P04**  
۲ عدد



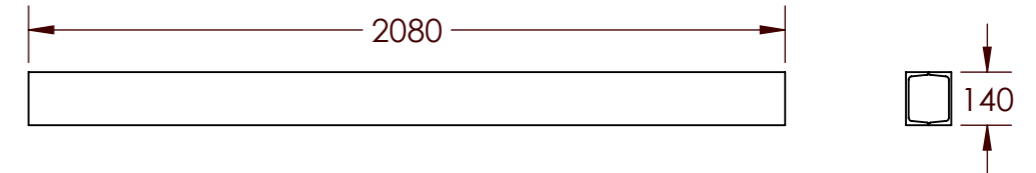
**A1-P06**  
۱ عدد



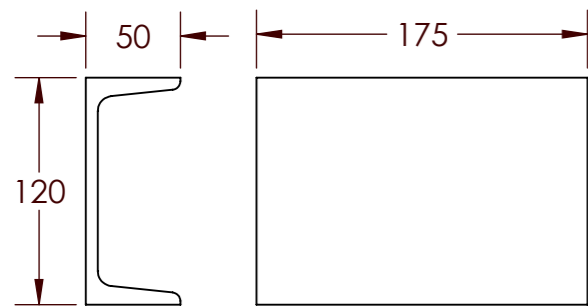
**A1-P05**  
۱ عدد



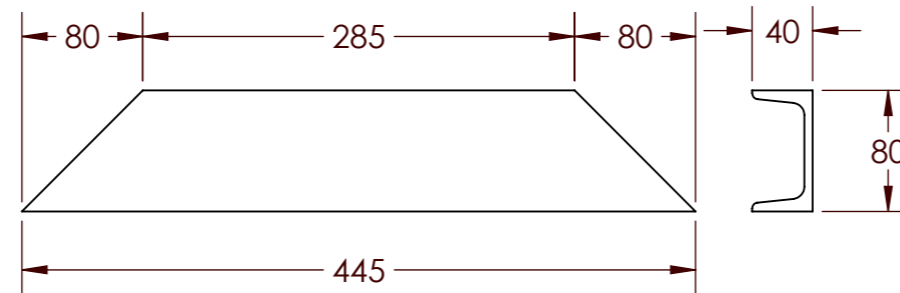
**A1-P06-1**  
۱ عدد  
ناودانی ۱۴ دویل



**A1-P07**  
۲ عدد

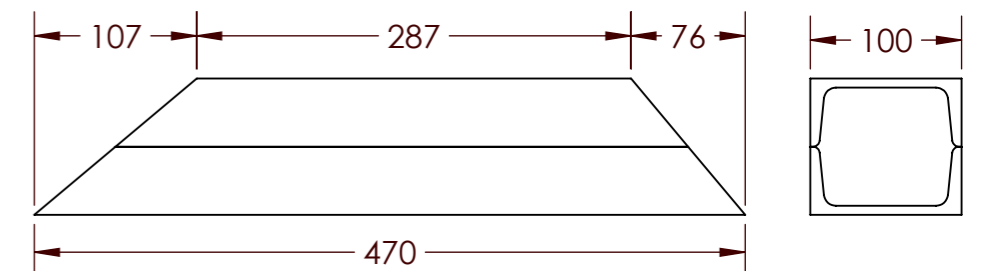


**A1-P08**  
۴ عدد  
ناودانی ۸



**A1-P09**  
۲ عدد

ناودانی ۱۰ دویل



TECHNICAL OFFICE SIGNATURES

**MOMTAZ GOLESTAN  
PARTICLE BOARD CO**

This drawing is our property it can't be reproduced  
or communicated with out our written agreement

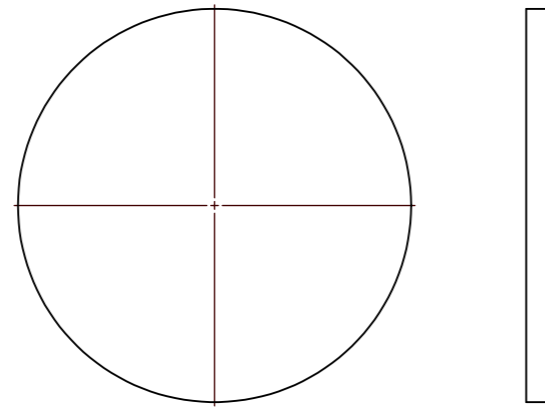
	NAME	DATE
DESIGNED:	Hosseini	1401/01/06
DRAWN:	Hosseini	1401/01/06
APPROVED:	E.SOTOONEH	

TITLE:			
DWG NO.:	...		
UNIT:	MM	MATERIAL:	
SCALE:	1:X	WEIGHT:	X KG
SIZE:	A4	QUANTITY:	.
REVISION:	1	HARDNESS:	HRC
STANDARD:	ISO	SHEET:	1

A1-P10

۲ عدد

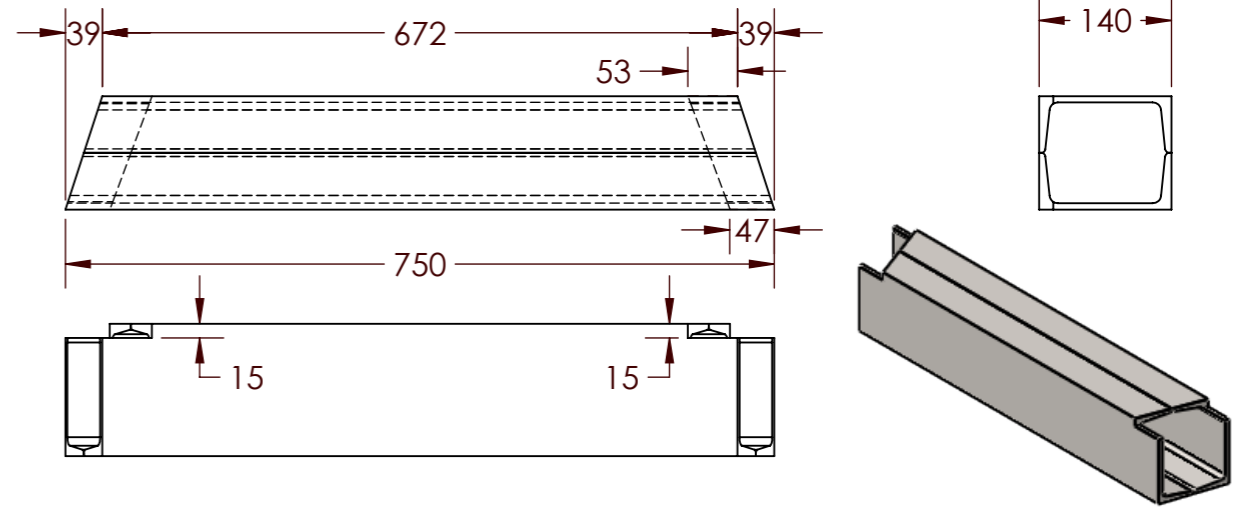
ابعاد مطابق تویی چرخ



A1-P11

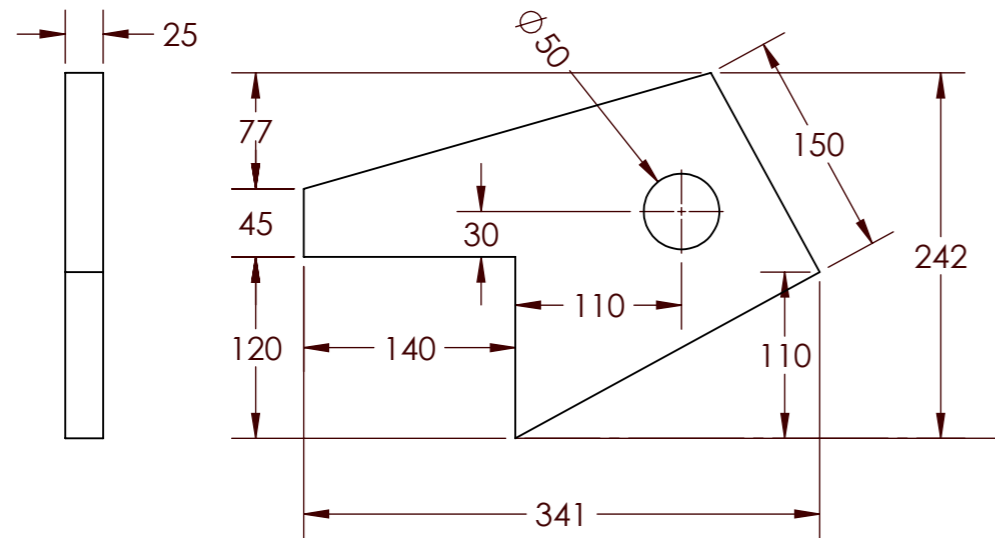
۱ عدد

ناودانی ۱۴ دوبر



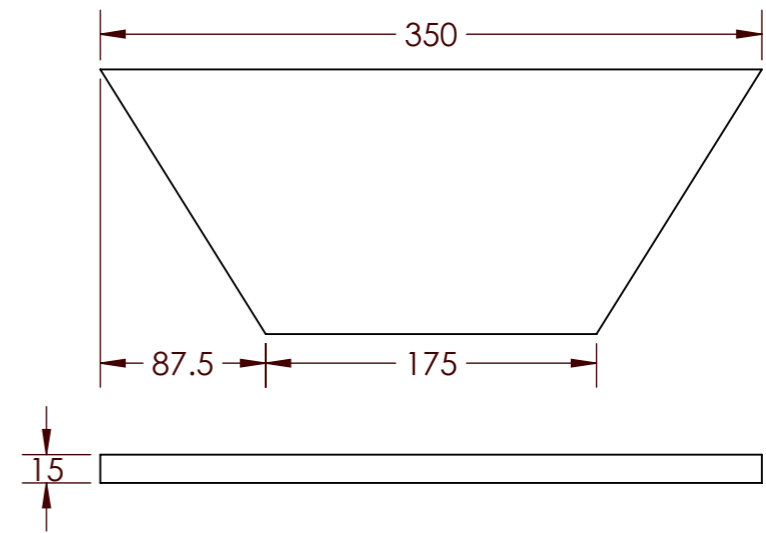
A1-P12

۲ عدد



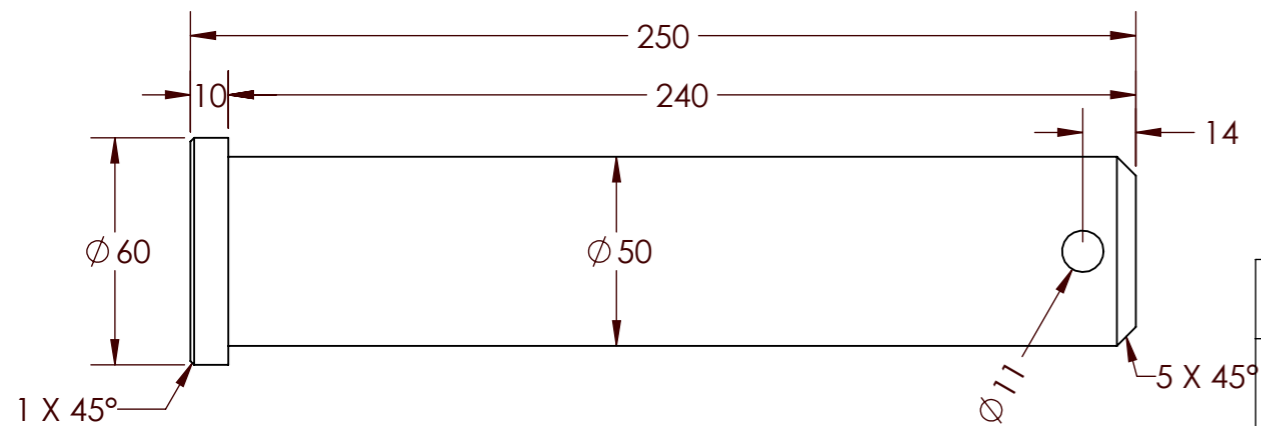
A1-P13

۲ عدد



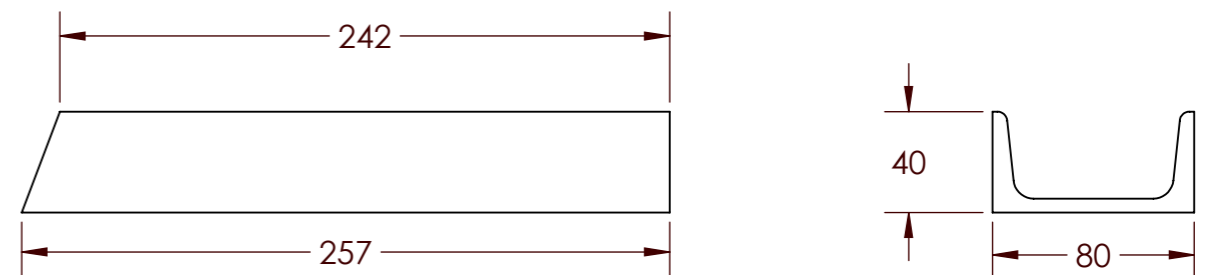
A1-P14

۱ عدد



A1-P15

۲ عدد



TECHNICAL OFFICE SIGNATURES

MOMTAZ GOLESTAN  
PARTICLE BOARD CO

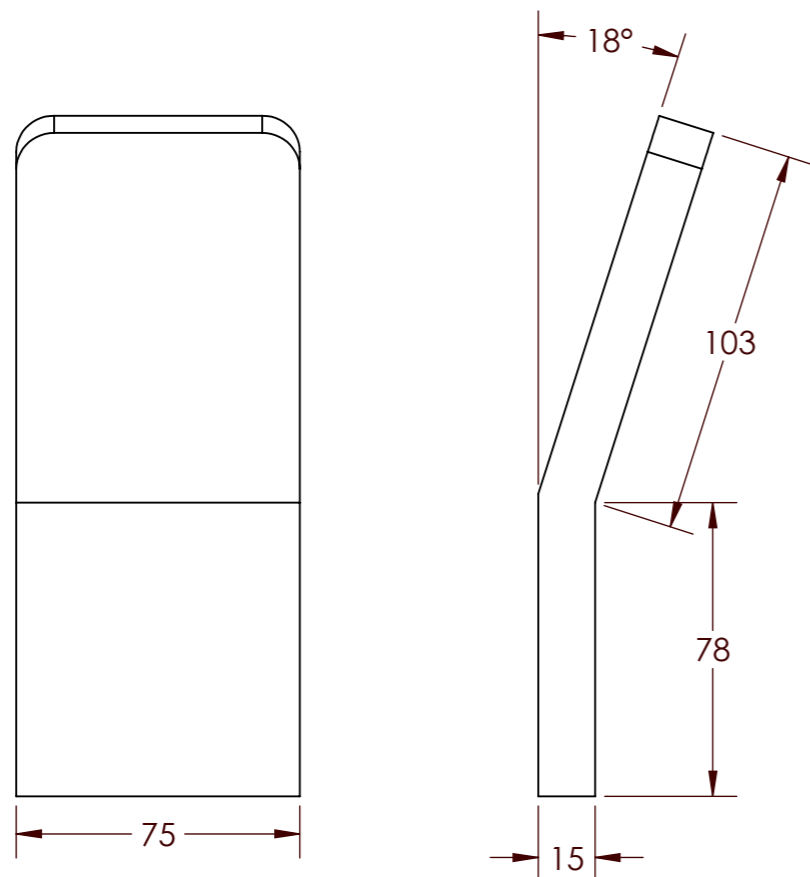
This drawing is our property it can't be reproduced  
or communicated with out our written agreement



TITLE:							
DWG NO.:		...					
UNIT:	MM	MATERIAL:					
SCALE:	1:X	WEIGHT:	X KG				
DESIGNED:	Hosseini	DATE:	1401/01/06	SIZE:	A4	QUANTITY:	.
DRAWN:	Hosseini	DATE:	1401/01/06	REVISION:	1	HARDNESS:	HRC
APPROVED:	E.SOTOONEH	STANDARD:	ISO	SHEET:			1

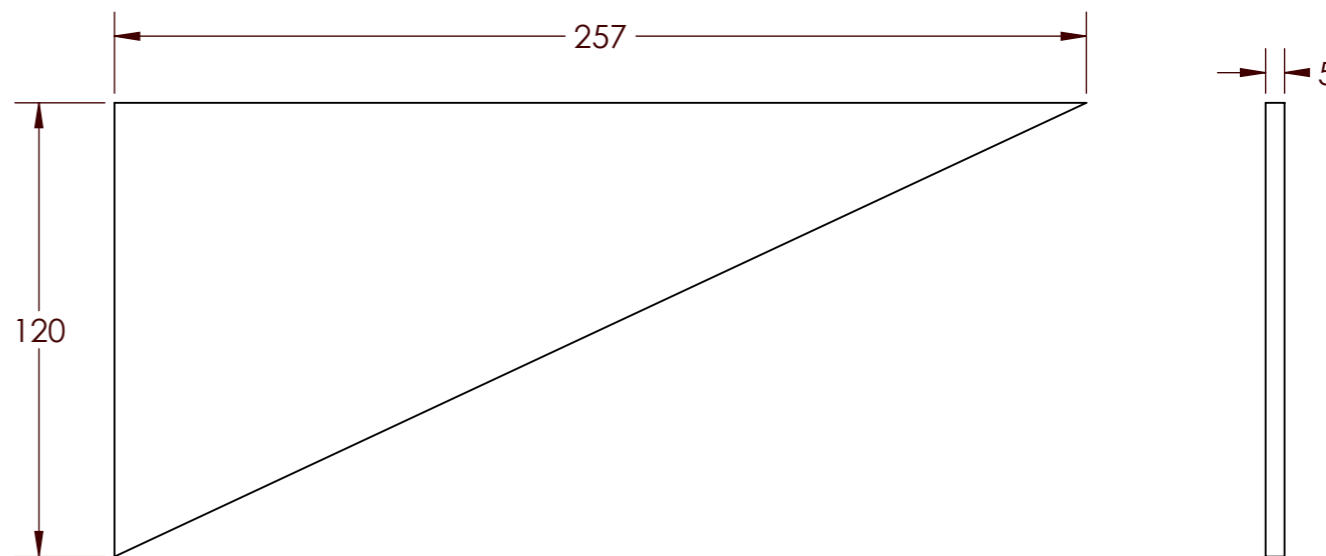
**A1-P16**

عدد ۲



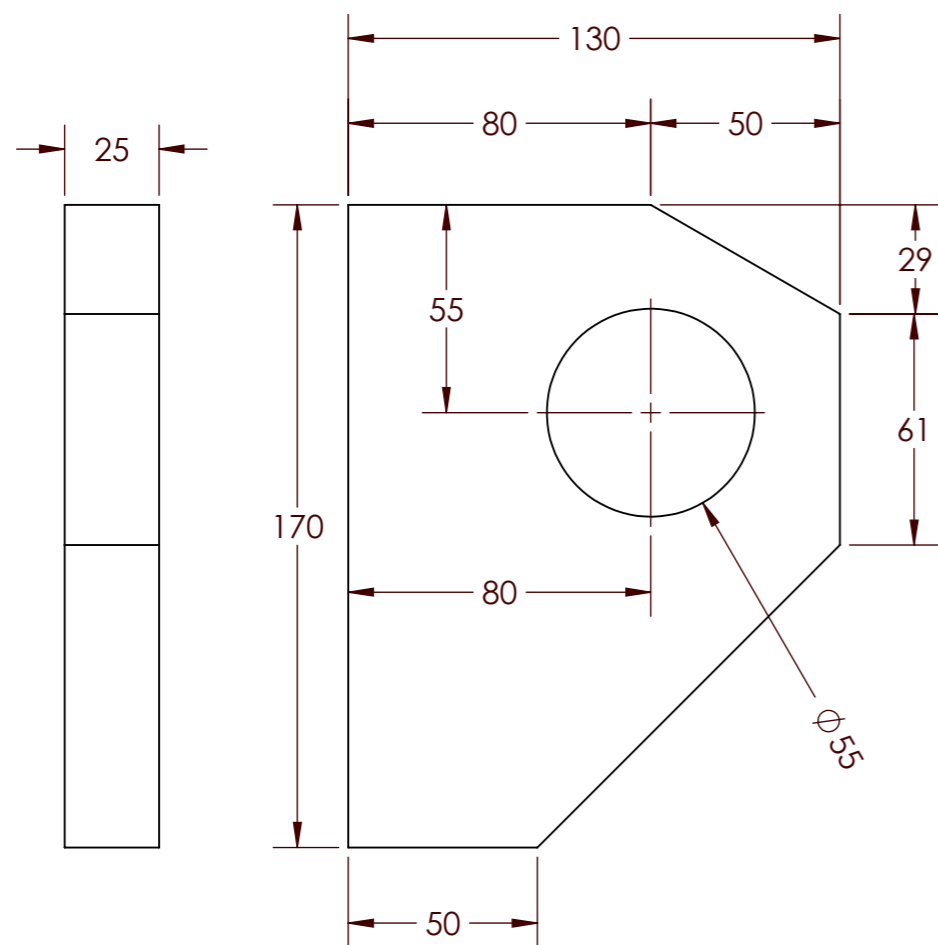
**A1-P17**

عدد ۲



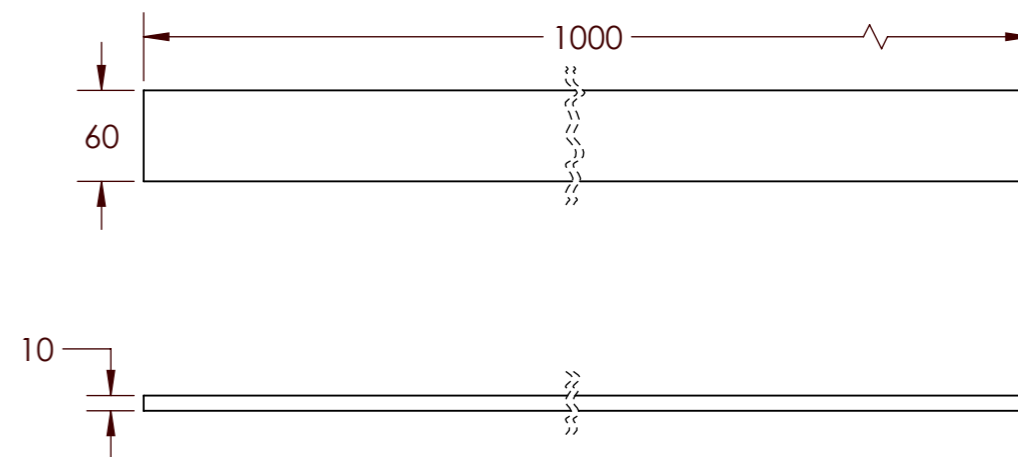
**A1-P18**

عدد ۴



**A1-P19**

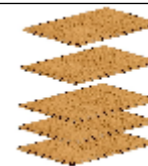
عدد ۱



**TECHNICAL OFFICE SIGNATURES**

**MOMTAZ GOLESTAN  
PARTICLE BOARD CO**

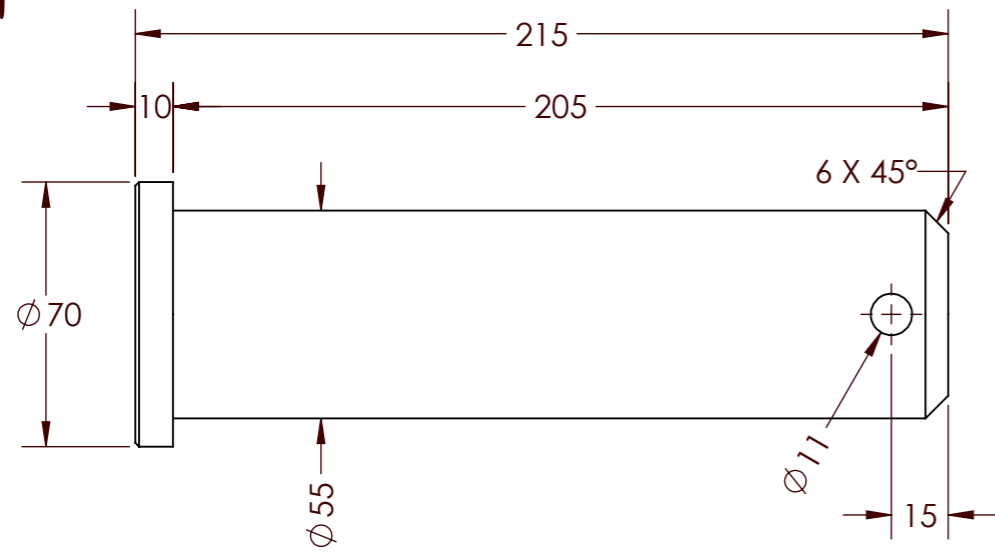
This drawing is our property it can't be reproduced  
or communicated with out our written agreement



<b>TITLE:</b>						
<b>DWG NO.:</b>		...				
<b>UNIT:</b>	<b>MM</b>	<b>MATERIAL:</b>				
<b>DESIGNED:</b>	<b>NAME</b>	<b>DATE</b>	<b>SCALE:</b>	<b>1:X</b>	<b>WEIGHT:</b>	<b>X KG</b>
<b>DRAWN:</b>	Hosseini	1401/01/06	<b>SIZE:</b>	A4	<b>QUANTITY:</b>	.
<b>APPROVED:</b>	Hosseini	1401/01/06	<b>REVISION:</b>	1	<b>HARDNESS:</b>	HRC
	E.SOTOONEH		<b>STANDARD:</b>	ISO	<b>SHEET:</b>	1

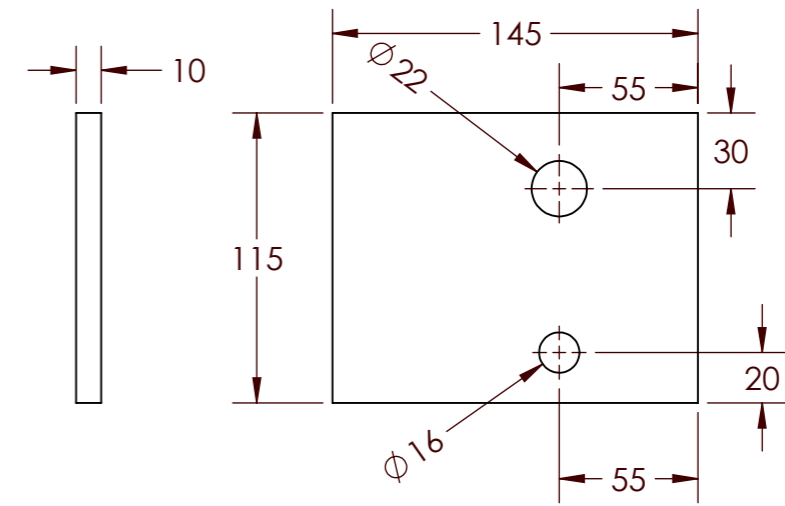
# A1-P20

عدد ۲



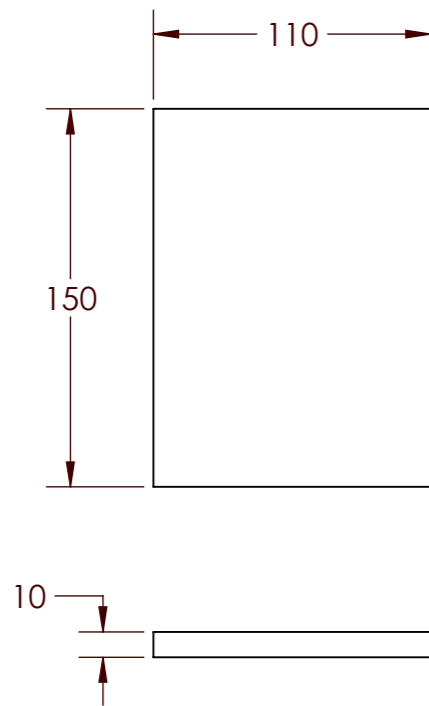
# A1-P21

عدد ۲



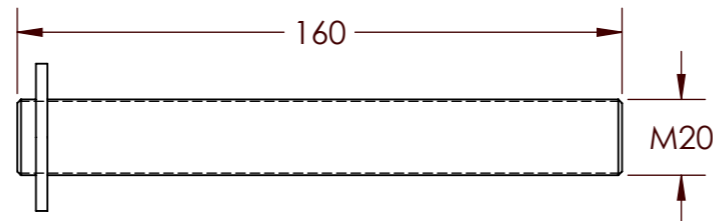
# A1-P22

عدد ۱



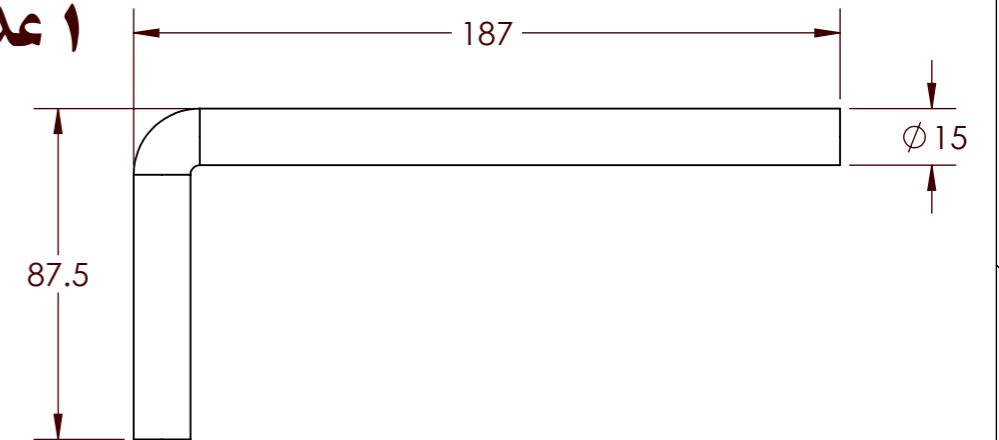
# A1-P23

عدد ۱



# A1-P24

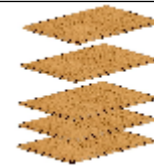
عدد ۱



## TECHNICAL OFFICE SIGNATURES

**MOMTAZ GOLESTAN  
PARTICLE BOARD CO**

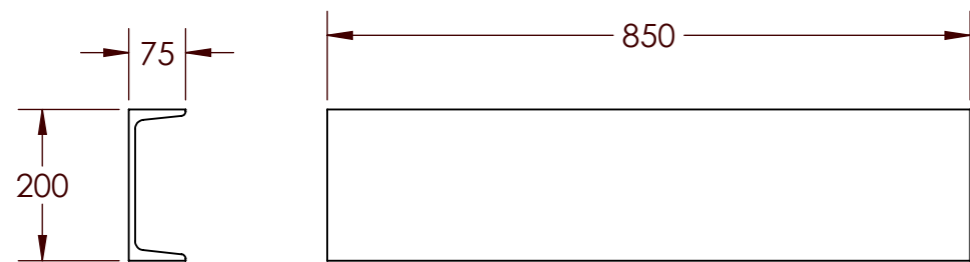
This drawing is our property it can't be reproduced  
or communicated with out our written agreement



TITLE:						
DWG NO.:		...				
UNIT:	MM	MATERIAL:				
DESIGNED:	NAME	DATE	SCALE:	1:X	WEIGHT:	X KG
DRAWN:	Hosseini	1401/01/06	SIZE:	A4	QUANTITY:	.
APPROVED:	Hosseini	1401/01/06	REVISION:	1	HARDNESS:	HRC
	E.SOTOONEH		STANDARD:	ISO	SHEET:	1

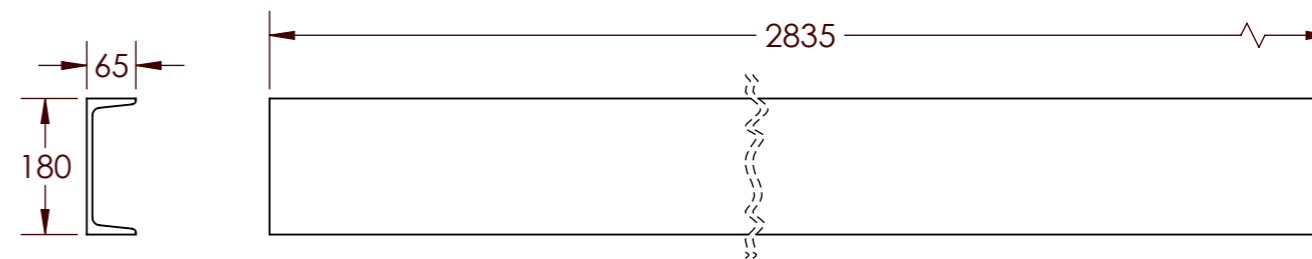
**A1-P25**

۱ عدد



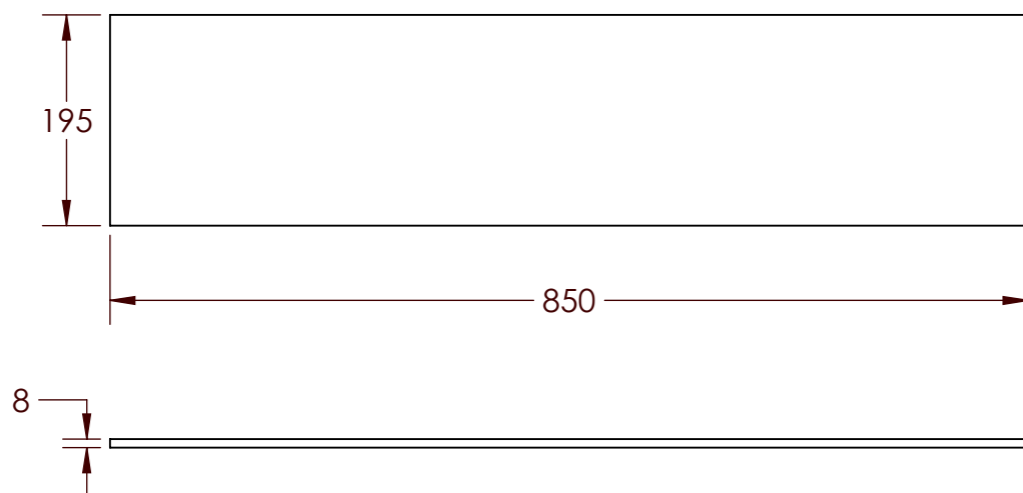
**A1-P26**

۲ عدد



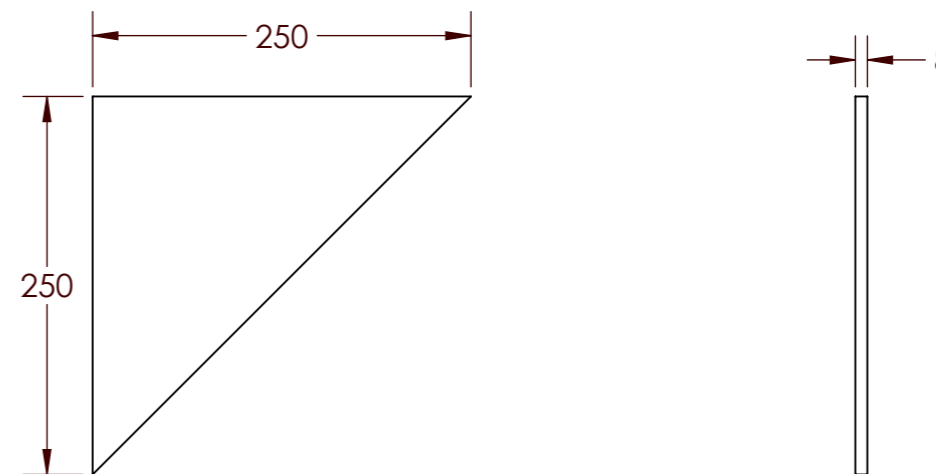
**A1-P27**

۱ عدد



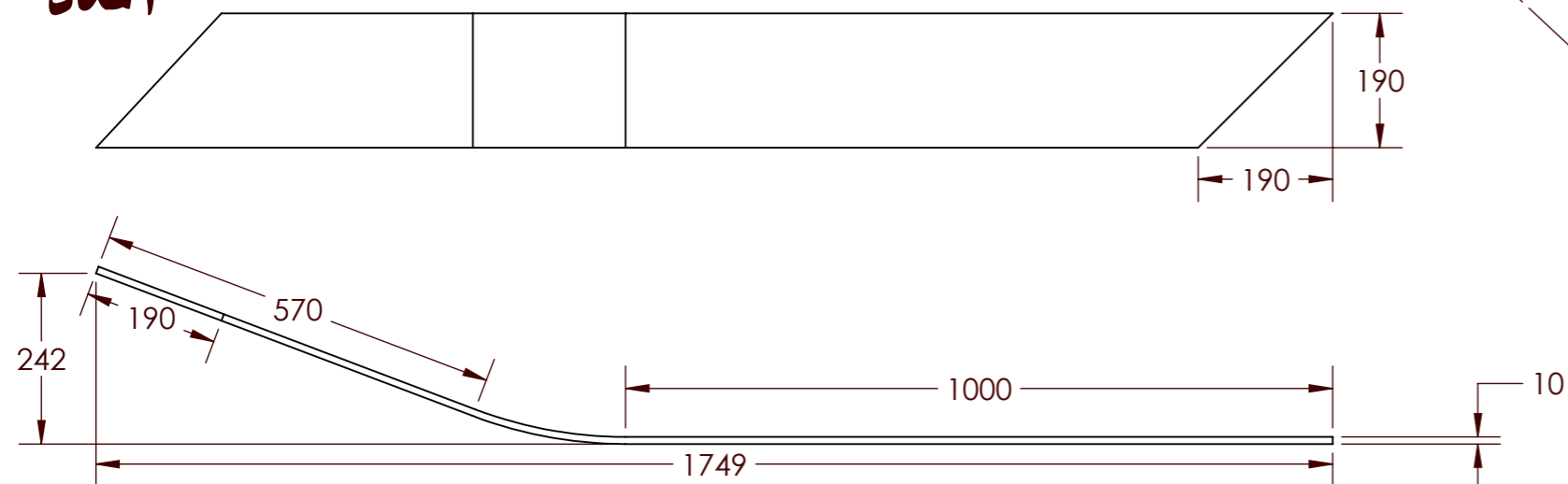
**A1-P28**

۴ عدد



**A1-P29**

۱ عدد



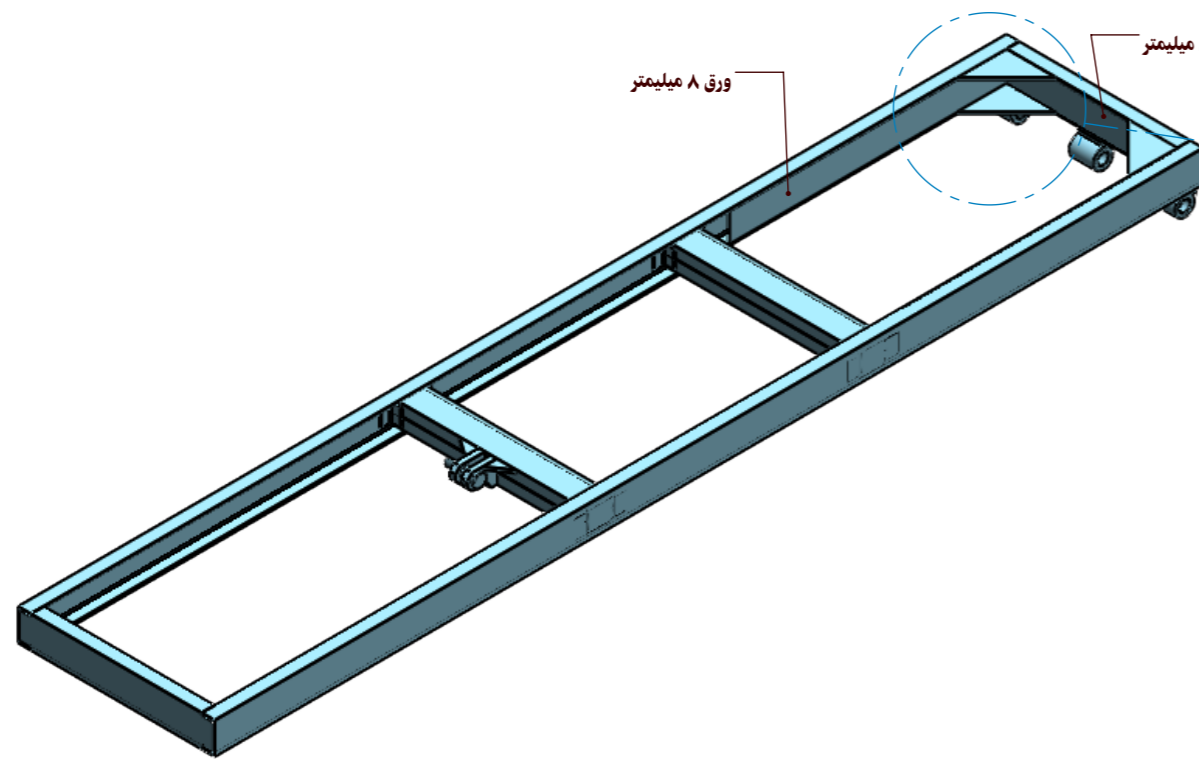
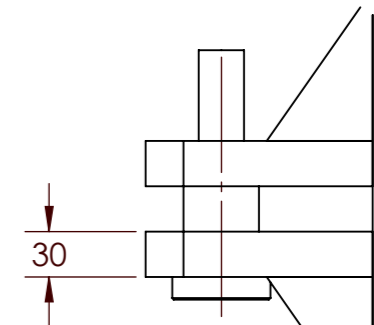
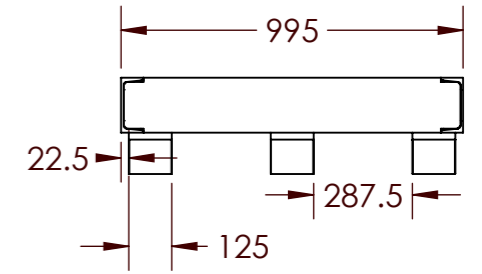
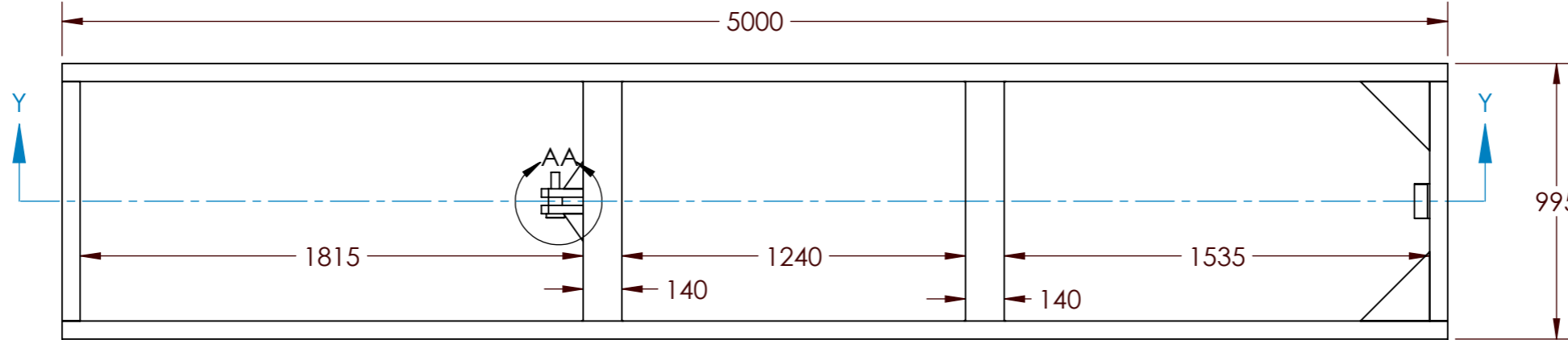
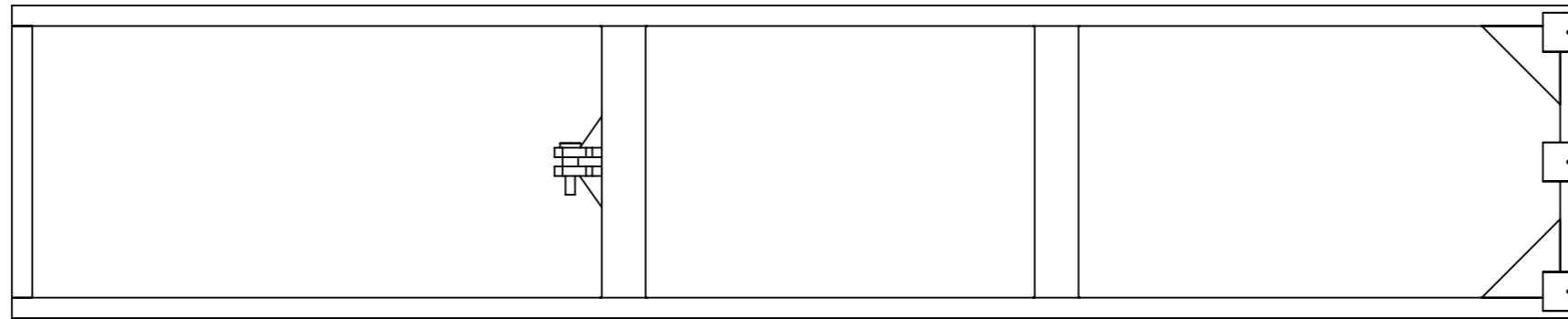
**MOMTAZ GOLESTAN  
PARTICLE BOARD CO**

This drawing is our property it can't be reproduced  
or communicated with out our written agreement



<b>TITLE:</b>							
<b>DWG NO.:</b>		...					
<b>UNIT:</b>	MM	<b>MATERIAL:</b>					
<b>SCALE:</b>	1:X	<b>WEIGHT:</b>	X KG				
<b>DESIGNED:</b>	Hosseini	<b>DATE:</b>	1401/01/06	<b>SIZE:</b>	A4	<b>QUANTITY:</b>	.
<b>DRAWN:</b>	Hosseini	<b>REVISION:</b>	1	<b>HARDNESS:</b>	HRC		
<b>APPROVED:</b>	E.SOTOONEH	<b>STANDARD:</b>	ISO	<b>SHEET:</b>	1		

**A2**



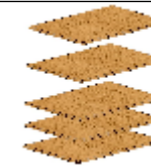
DETAIL G  
SCALE 2 : 27

**TECHNICAL OFFICE SIGNATURES**

--	--

**MOMTAZ GOLESTAN  
PARTICLE BOARD CO**

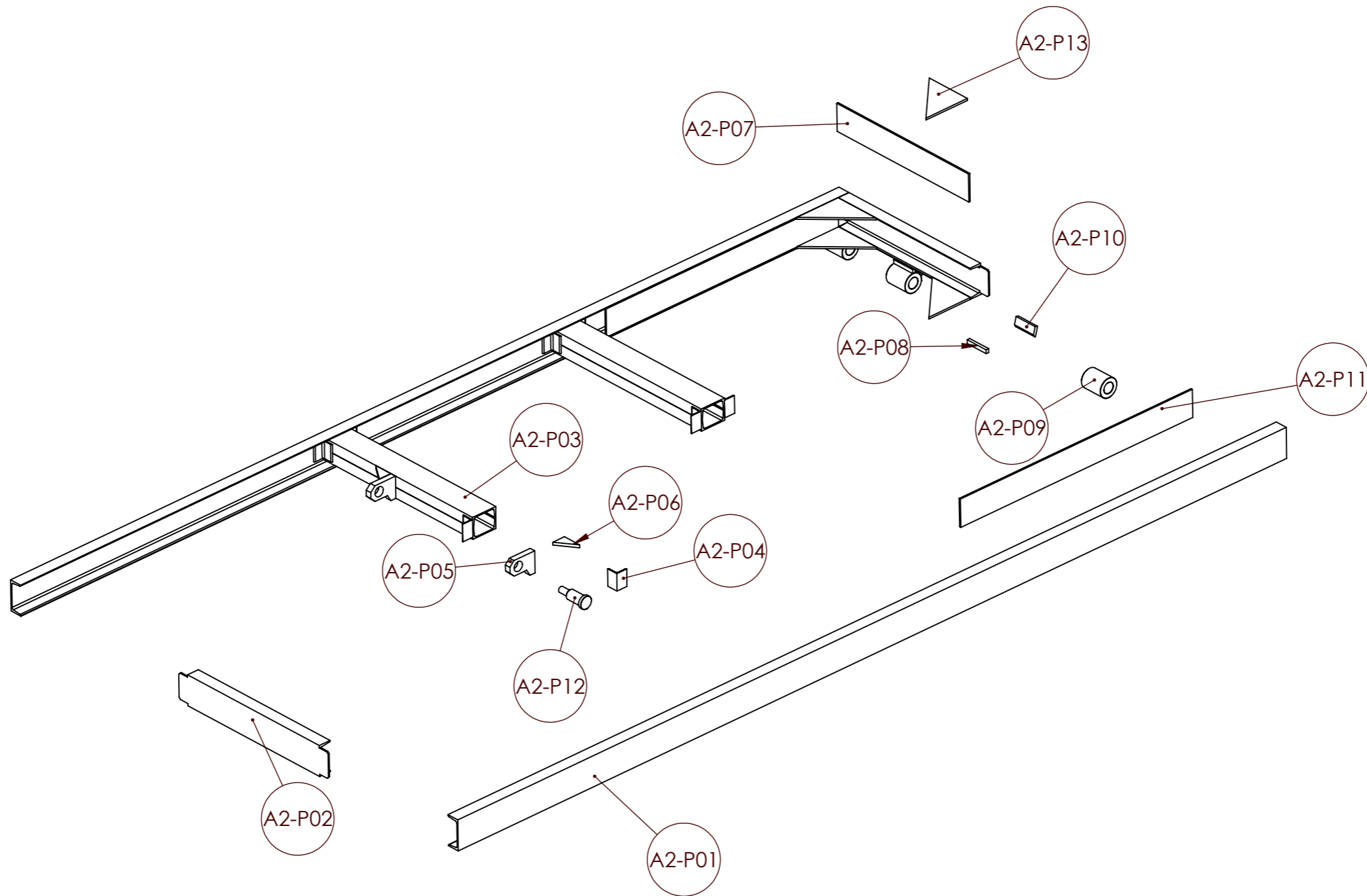
This drawing is our property it can't be reproduced  
or communicated with out our written agreement




	NAME	DATE
DESIGNED:	Hosseini	1401/01/06
DRAWN:	Hosseini	1401/01/06
APPROVED:	E.SOTOONEH	

<b>TITLE:</b>			
DWG NO.:	...		
UNIT:	MM	MATERIAL:	
SCALE:	1:X	WEIGHT:	X KG
SIZE:	A4	QUANTITY:	.
REVISION:	1	HARDNESS:	HRC
STANDARD:	ISO	SHEET:	1

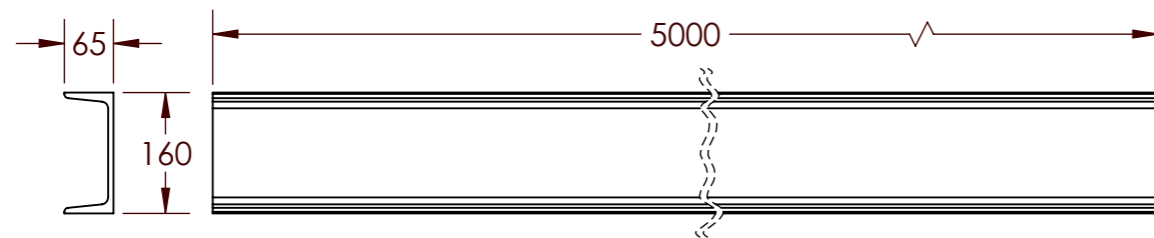
A2



TECHNICAL OFFICE SIGNATURES		<b>MOMTAZ GOLESTAN</b> <b>PARTICLE BOARD CO</b> <small>This drawing is our property it can't be reproduced or communicated with out our written agreement</small> 	TITLE:							
				DWG NO.:		...				
			UNIT:	MM	MATERIAL:					
				SCALE:	1:X	WEIGHT:	X KG			
			DESIGNED:	Hosseini	DATE:	1401/01/06	SIZE:	A4	QUANTITY:	.
			DRAWN:	Hosseini	DATE:	1401/01/06	REVISION:	1	HARDNESS:	HRC
	APPROVED:	E.SOTOONEH			STANDARD:	ISO	SHEET:	1		

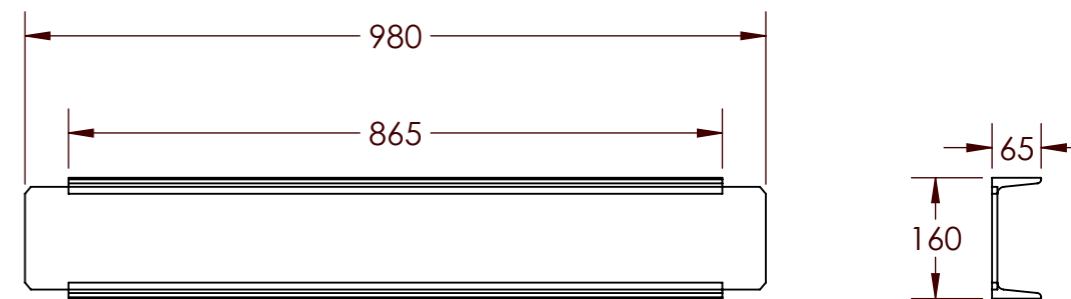
A2-P01

عدد ۲



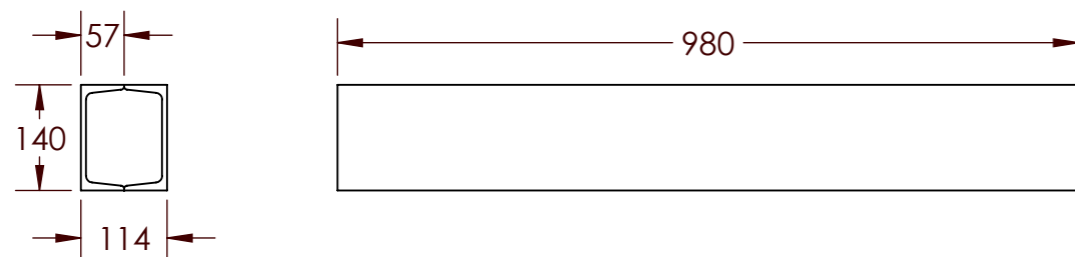
A2-P02

عدد ۲



A2-P03

عدد ۲



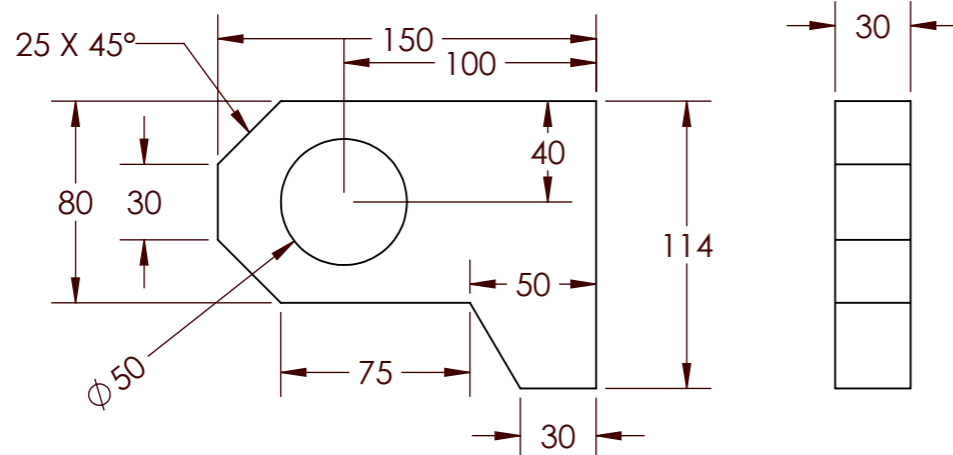
A2-P04

عدد ۸



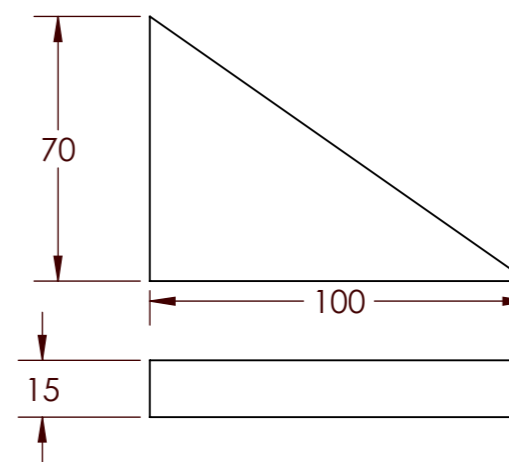
A2-P05

عدد ۲



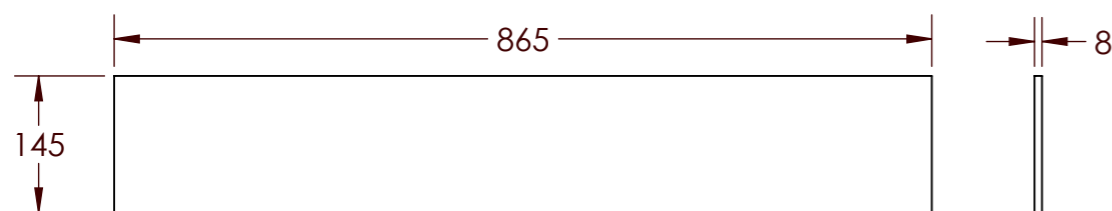
A2-P06

عدد ۲



A2-P07

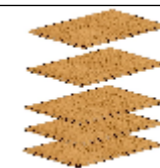
عدد ۱



TECHNICAL OFFICE SIGNATURES

MOMTAZ GOLESTAN PARTICLE BOARD CO

This drawing is our property it can't be reproduced or communicated with out our written agreement



TITLE:

DWG NO.:

...

UNIT:

MM

MATERIAL:

SCALE:

1:X

WEIGHT:

X KG

DESIGNED:

Hosseini

DATE

1401/01/06

SIZE:

A4

QUANTITY:

.

DRAWN:

Hosseini

REVISION:

1

HARDNESS:

HRC

APPROVED:

E.SOTOONEH

STANDARD:

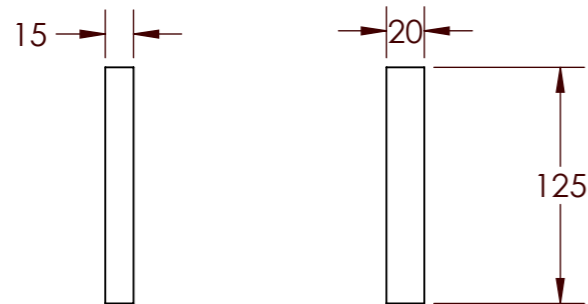
ISO

SHEET:

1

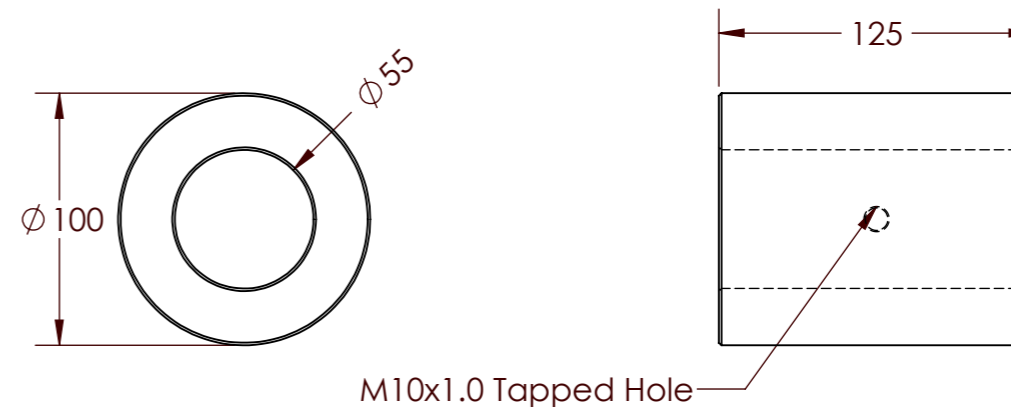
A2-P08

عدد ۲



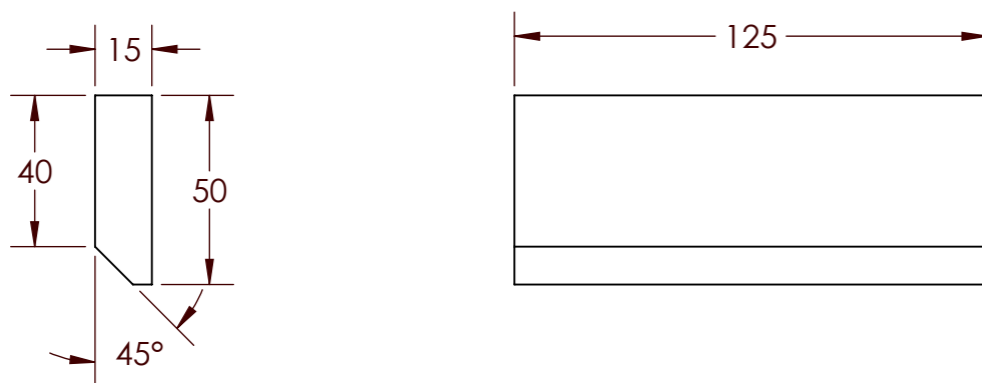
A2-P09

عدد ۲



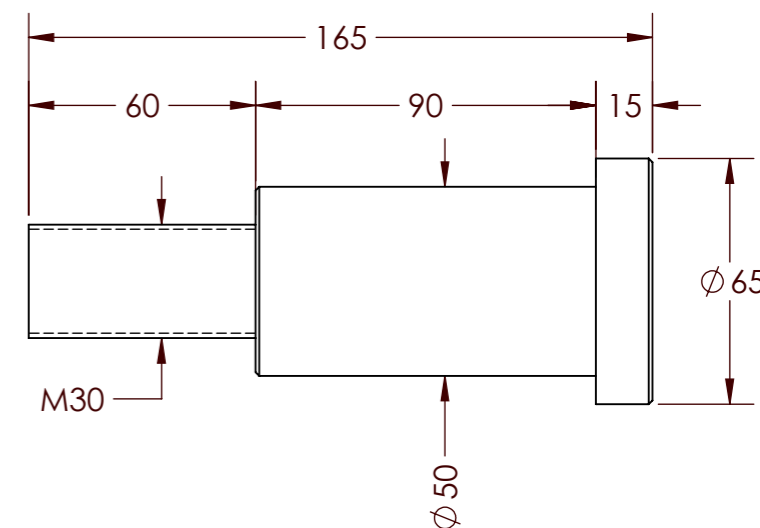
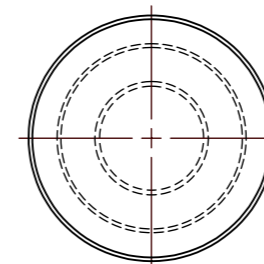
A2-P10

عدد ۲



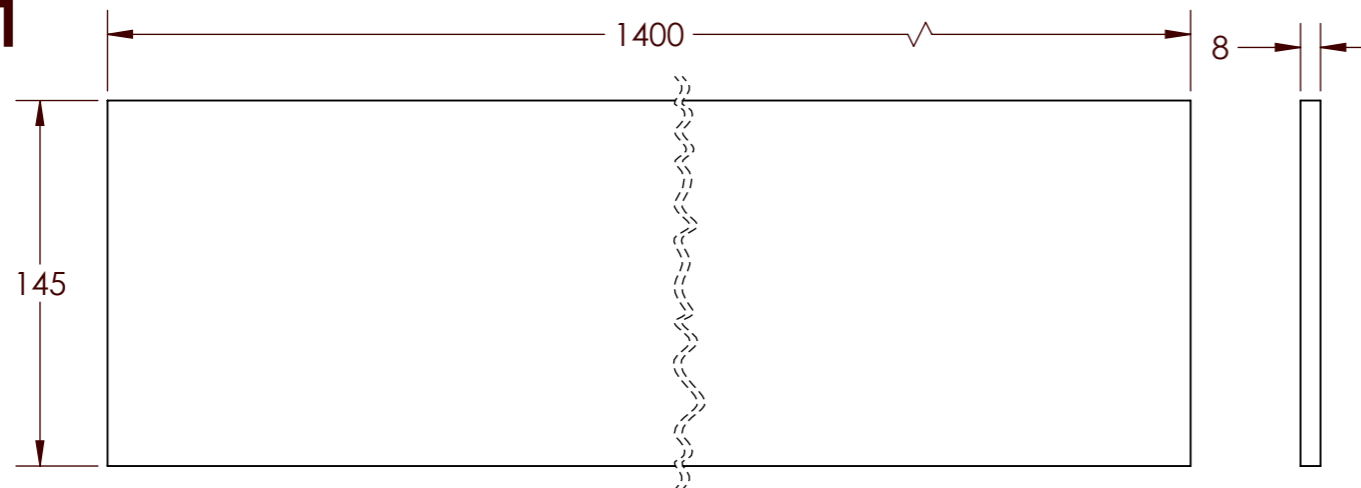
A2-P12

عدد ۱



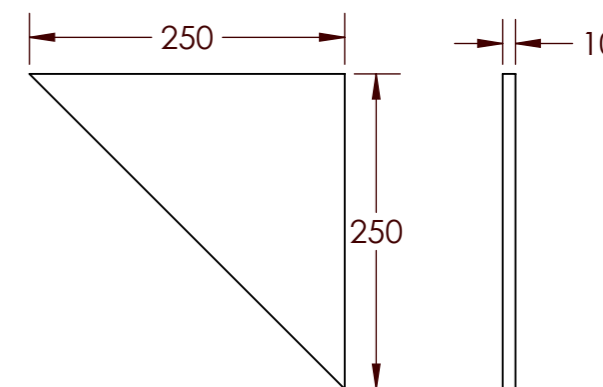
A2-P11

عدد ۲



A2-P13

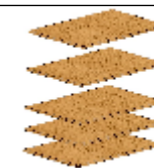
عدد ۴



TECHNICAL OFFICE SIGNATURES

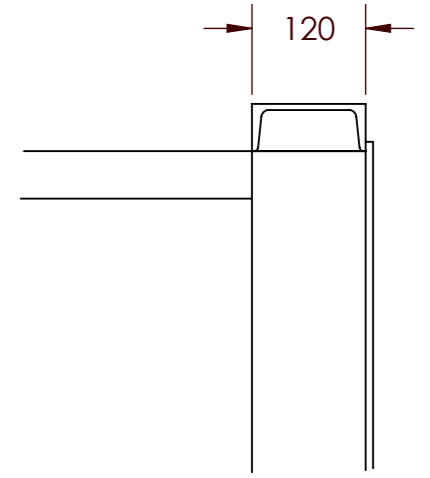
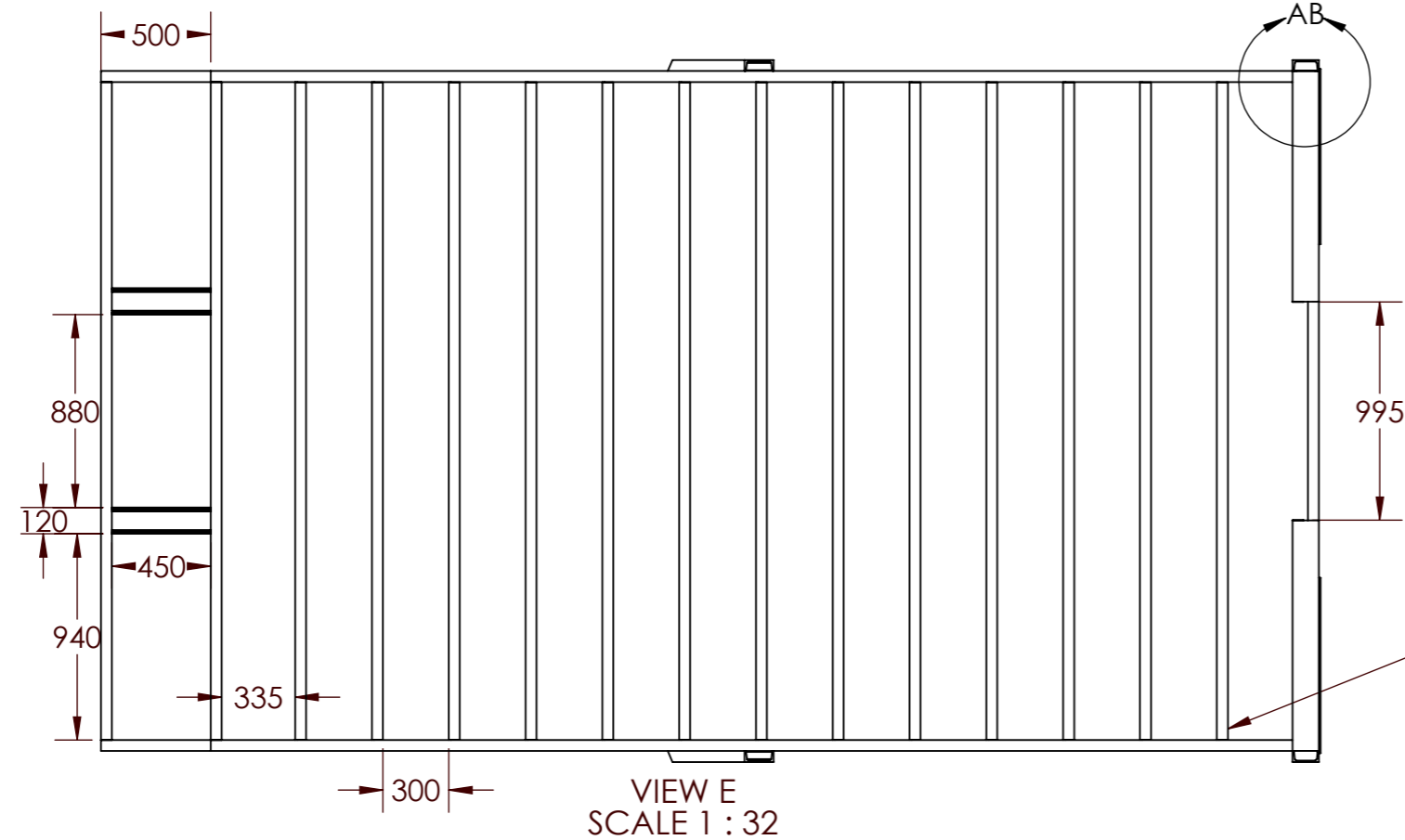
MOMTAZ GOLESTAN  
PARTICLE BOARD CO

This drawing is our property it can't be reproduced  
or communicated with out our written agreement



TITLE:							
DWG NO.:		...					
UNIT:	MM	MATERIAL:					
SCALE:	1:X	WEIGHT:	X KG				
DESIGNED:	Hosseini	DATE:	1401/01/06	SIZE:	A4	QUANTITY:	.
DRAWN:	Hosseini	DATE:	1401/01/06	REVISION:	1	HARDNESS:	HRC
APPROVED:	E.SOTOONEH	STANDARD:	ISO	SHEET:			1

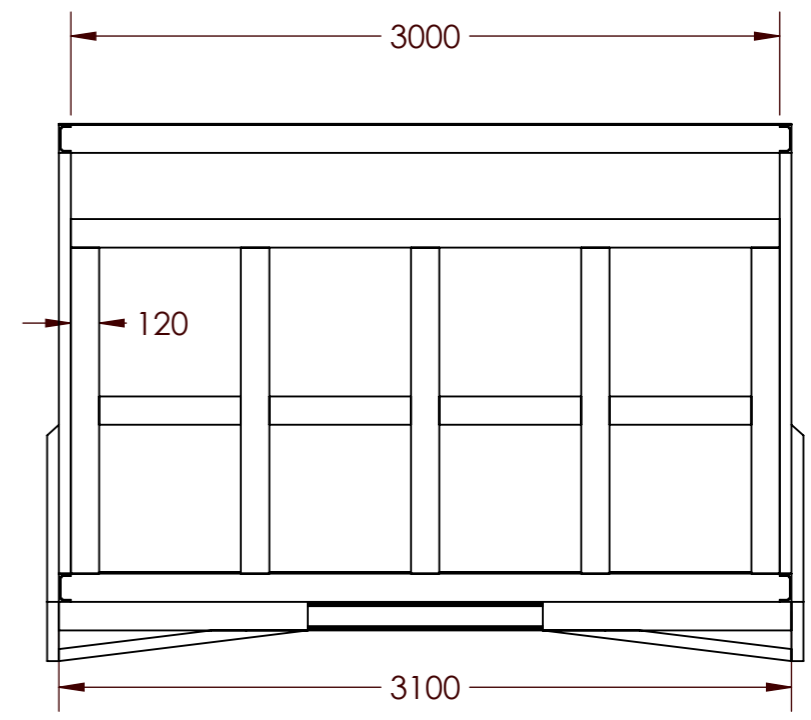
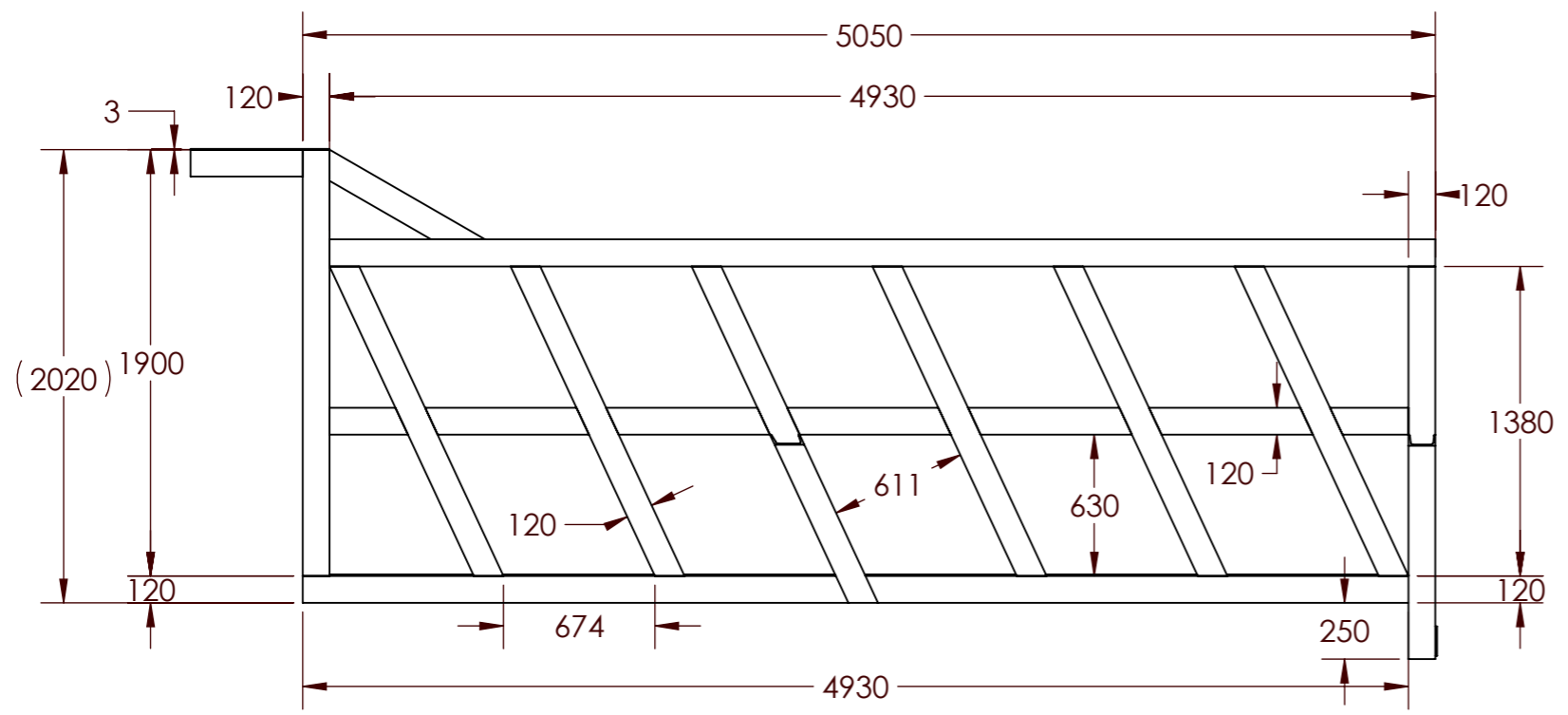
**A3**



۱۳ عدد  
۱۲ ناودانی

DETAIL AB  
SCALE 1 : 8

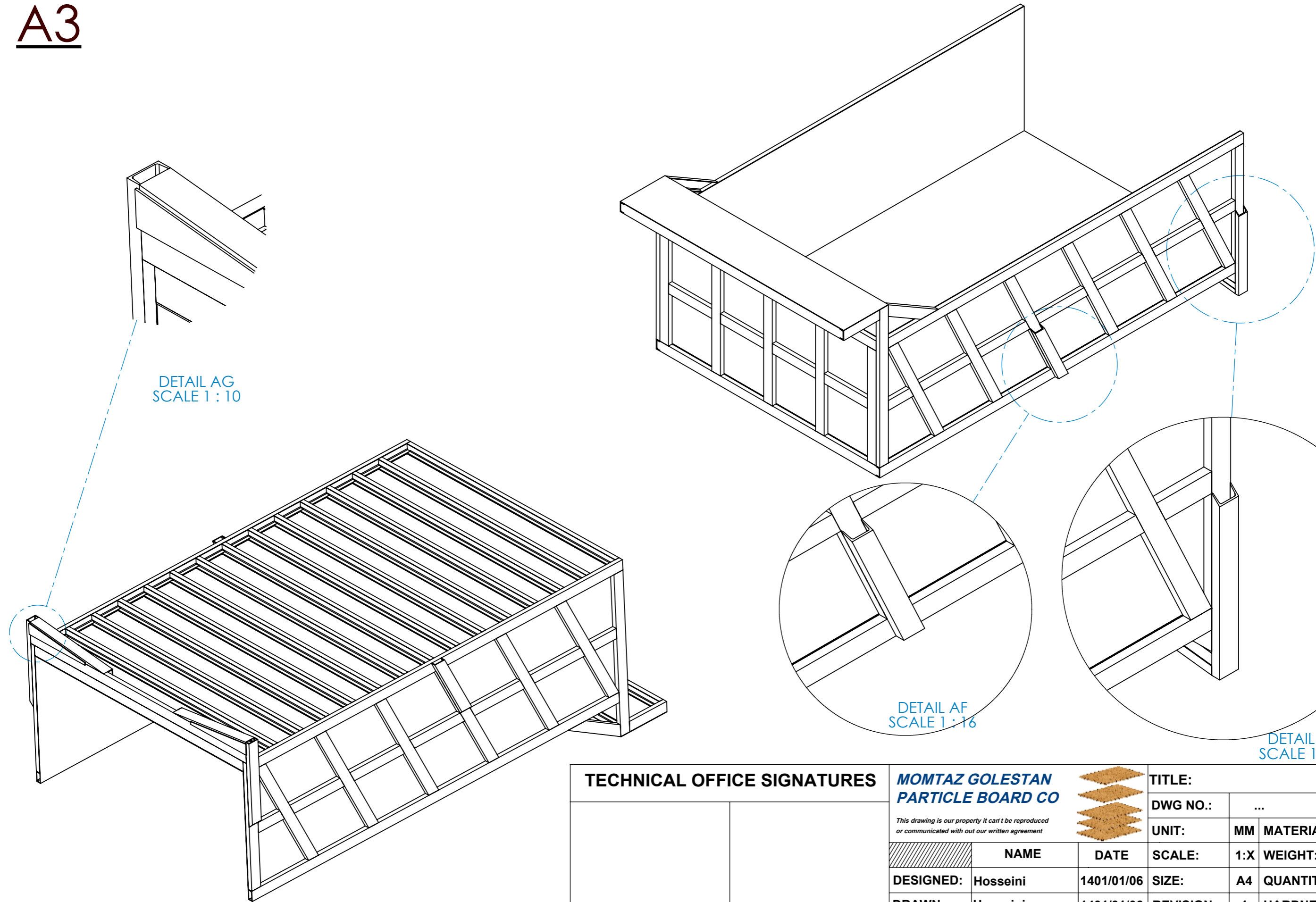
VIEW E  
SCALE 1 : 32



وزن اتاق ۲۹۰۰ کیلوگرم

TECHNICAL OFFICE SIGNATURES		MOMTAZ GOLESTAN PARTICLE BOARD CO		TITLE:		
		<small>This drawing is our property it can't be reproduced or communicated with out our written agreement</small>		DWG NO.: ...		
				UNIT: MM	MATERIAL:	
	NAME	DATE	SCALE:	1:X	WEIGHT:	X KG
	DESIGNED: Hosseini	1401/01/06	SIZE:	A4	QUANTITY:	.
	DRAWN: Hosseini	1401/01/06	REVISION:	1	HARDNESS:	HRC
	APPROVED: E.SOTOONEH		STANDARD:	ISO	SHEET:	1

**A3**

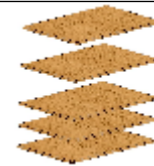


**TECHNICAL OFFICE SIGNATURES**

--	--

**MOMTAZ GOLESTAN  
PARTICLE BOARD CO**

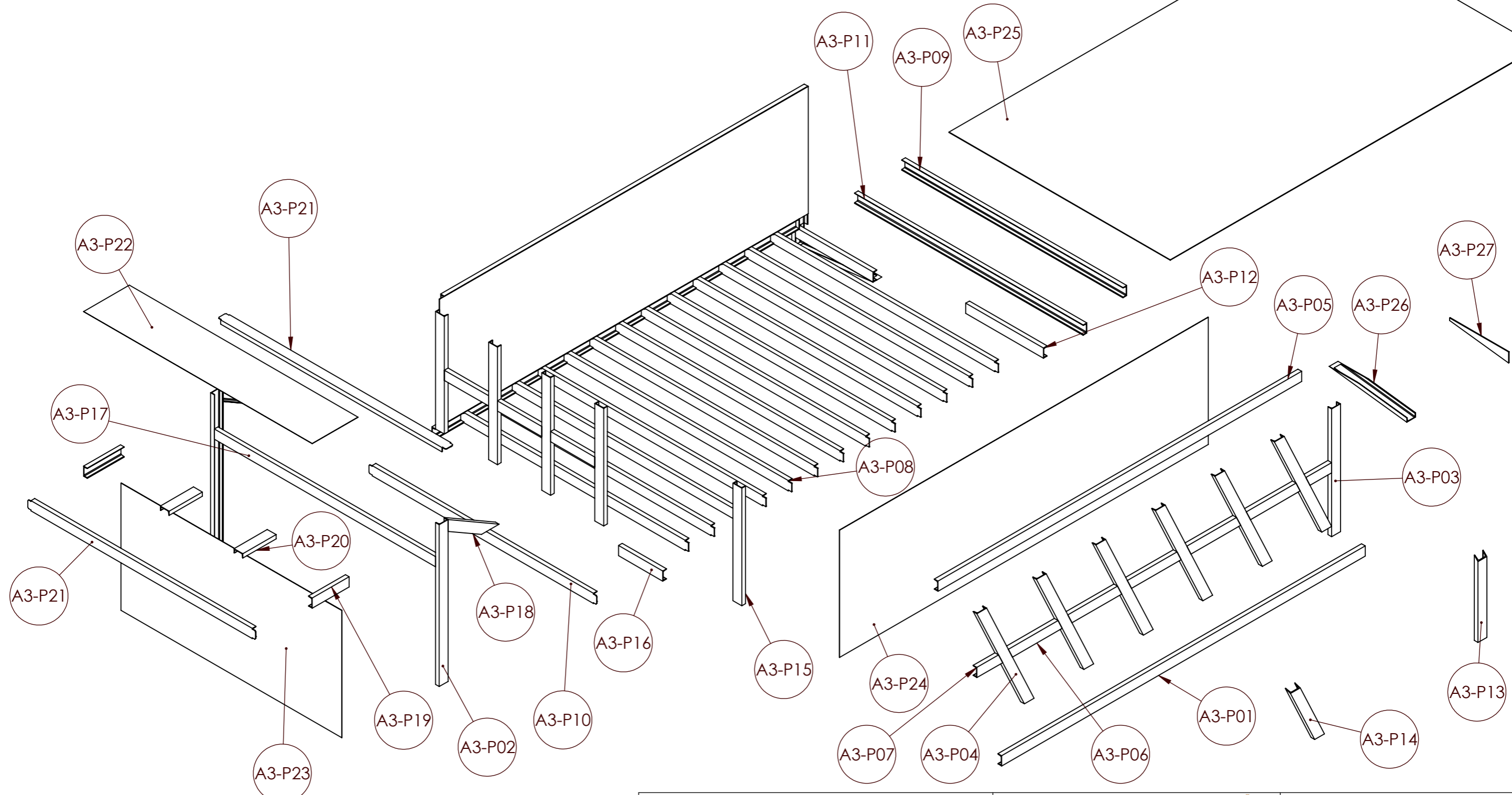
This drawing is our property it can't be reproduced  
or communicated with out our written agreement


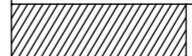


	NAME	DATE
DESIGNED:	Hosseini	1401/01/06
DRAWN:	Hosseini	1401/01/06
APPROVED:	E.SOTOONEH	

<b>TITLE:</b>			
<b>DWG NO.:</b>	...		
<b>UNIT:</b>	MM	<b>MATERIAL:</b>	
<b>SCALE:</b>	1:X	<b>WEIGHT:</b>	X KG
<b>SIZE:</b>	A4	<b>QUANTITY:</b>	.
<b>REVISION:</b>	1	<b>HARDNESS:</b>	HRC
<b>STANDARD:</b>	ISO	<b>SHEET:</b>	1

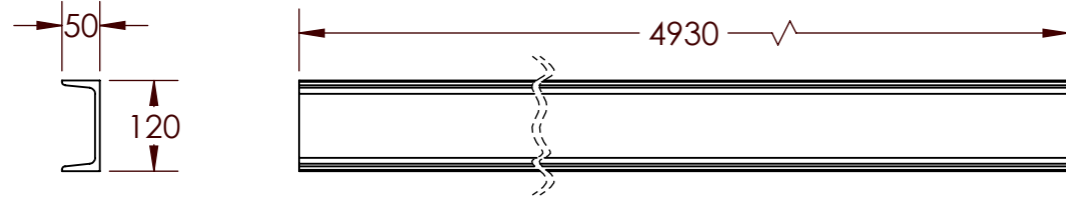
# A3



TECHNICAL OFFICE SIGNATURES		<b>MOMTAZ GOLESTAN</b> <b>PARTICLE BOARD CO</b> 		TITLE:			
<small>This drawing is our property it can't be reproduced or communicated with out our written agreement</small>		<b>NAME</b> Hosseini	<b>DATE</b> 1401/01/06	DWG NO.: ...		UNIT: MM	
				SCALE: 1:X		MATERIAL:	
				DESIGNED: Hosseini		WEIGHT: X KG	
				DRAWN: Hosseini		QUANTITY: .	
				APPROVED: E.SOTOONEH		HARDNESS: HRC	
		STANDARD: ISO		SHEET: 1			

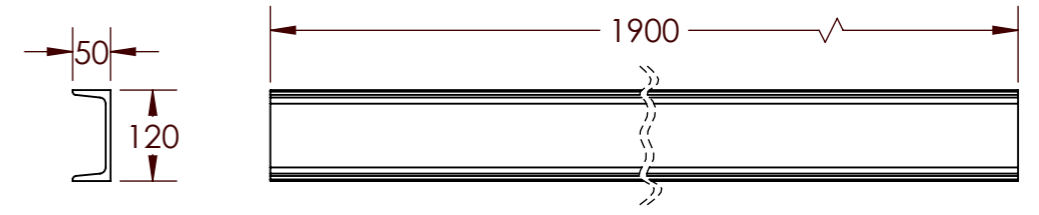
**A3-P01**

عدد ۲



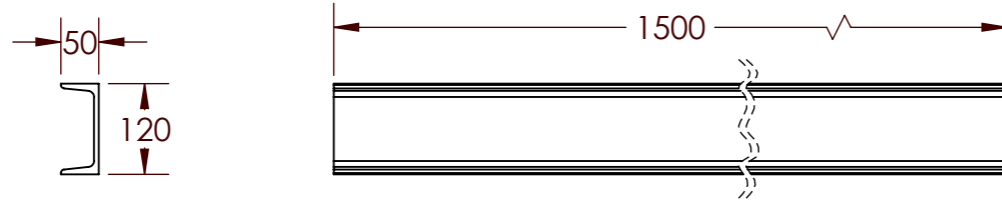
**A3-P02**

عدد ۲



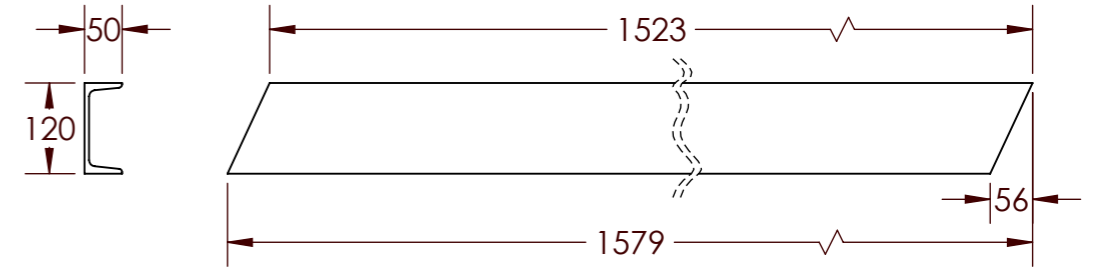
**A3-P03**

عدد ۲



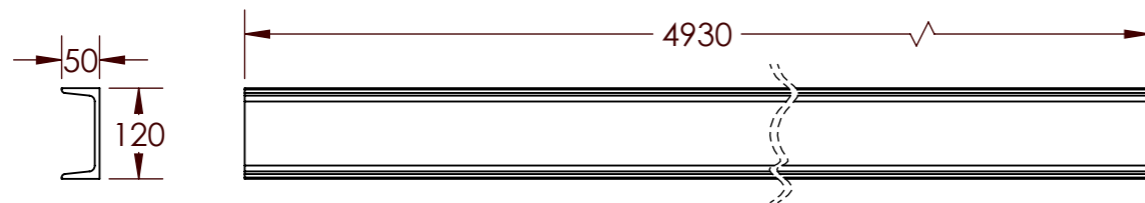
**A3-P04**

عدد ۱۲



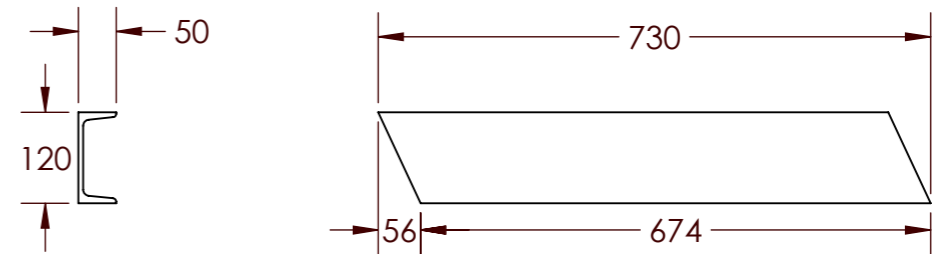
**A3-P05**

عدد ۲



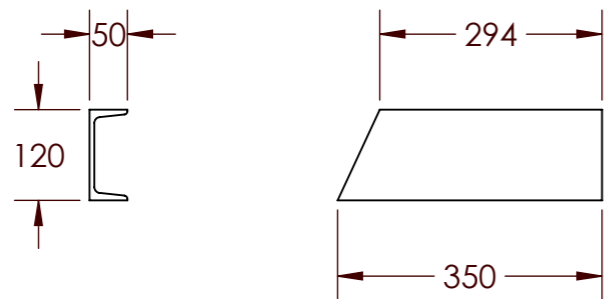
**A3-P06**

عدد ۱۰



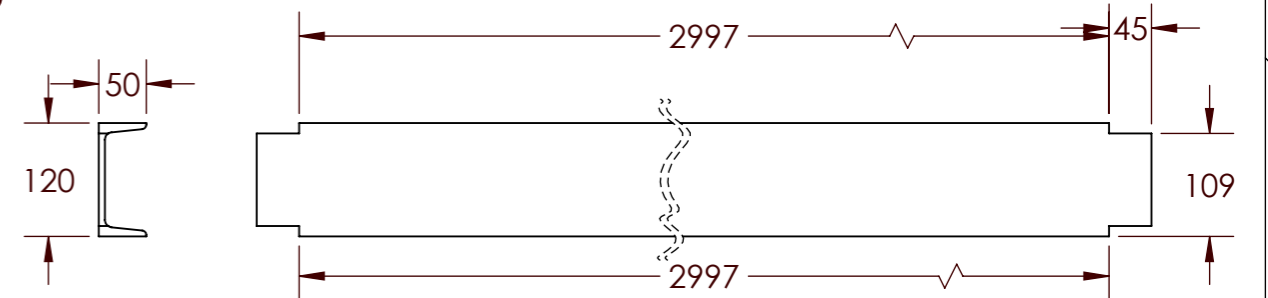
**A3-P07**

عدد ۴



**A3-P08**

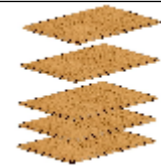
عدد ۱۱



**TECHNICAL OFFICE SIGNATURES**

**MOMTAZ GOLESTAN  
PARTICLE BOARD CO**

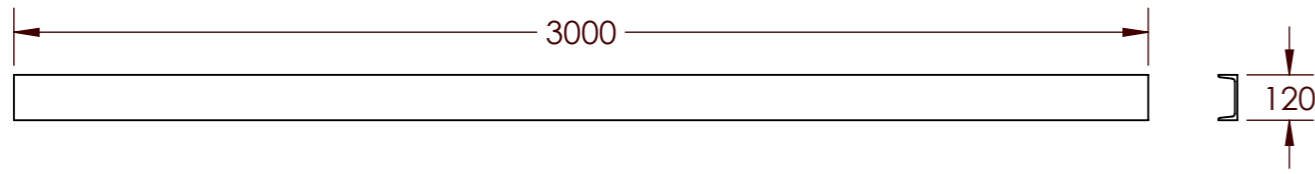
*This drawing is our property it can't be reproduced  
or communicated with out our written agreement*



<b>TITLE:</b>							
<b>DWG NO.:</b>		...					
<b>UNIT:</b>	<b>MM</b>	<b>MATERIAL:</b>					
<b>SCALE:</b>	<b>1:X</b>	<b>WEIGHT:</b>	<b>X KG</b>				
<b>DESIGNED:</b>	<b>Hosseini</b>	<b>DATE</b>	<b>1401/01/06</b>	<b>SIZE:</b>	<b>A4</b>	<b>QUANTITY:</b>	<b>.</b>
<b>DRAWN:</b>	<b>Hosseini</b>	<b>DATE</b>	<b>1401/01/06</b>	<b>REVISION:</b>	<b>1</b>	<b>HARDNESS:</b>	<b>HRC</b>
<b>APPROVED:</b>	<b>E.SOTOONEH</b>	<b>STANDARD:</b>	<b>ISO</b>	<b>SHEET:</b>	<b>1</b>		

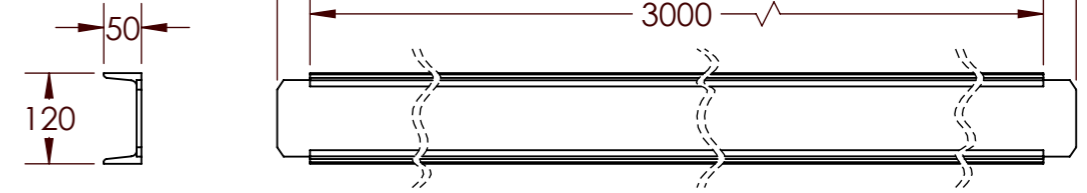
**A3-P09**

عدد ۱



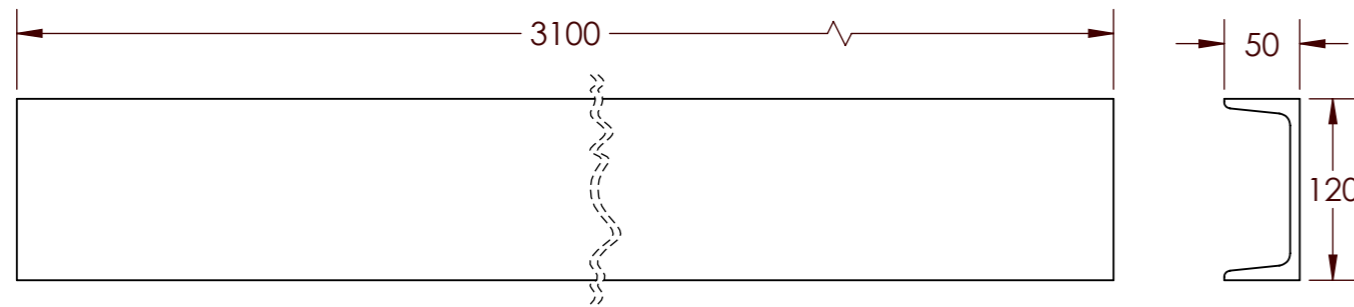
**A3-P10**

عدد ۱



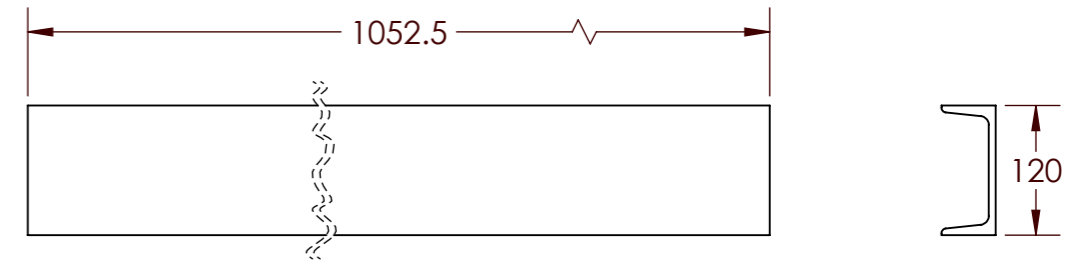
**A3-P11**

عدد ۱



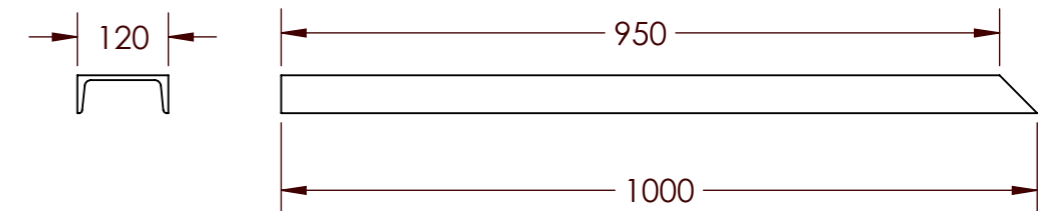
**A3-P12**

عدد ۲



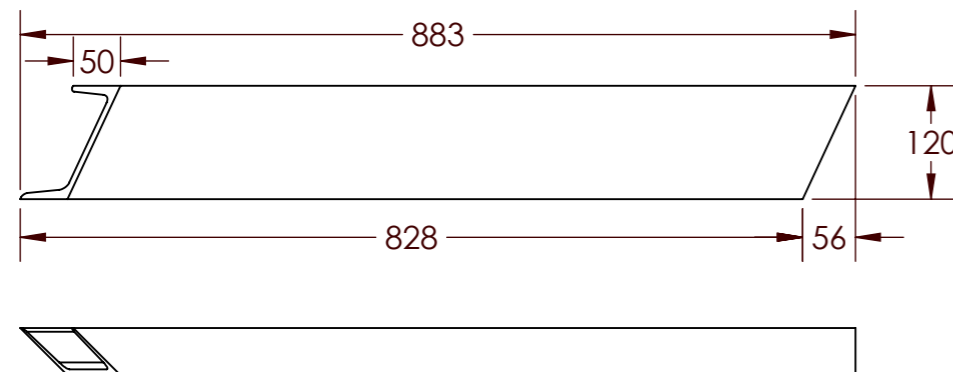
**A3-P13**

عدد ۲



**A3-P14**

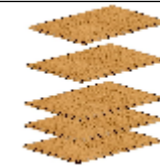
عدد ۲



**TECHNICAL OFFICE SIGNATURES**

**MOMTAZ GOLESTAN  
PARTICLE BOARD CO**

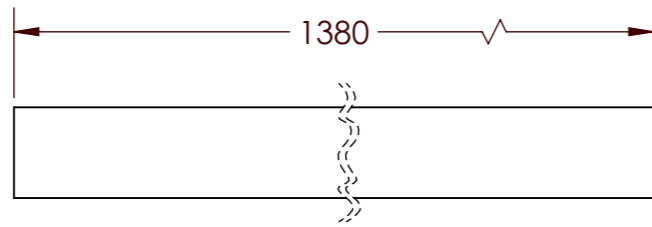
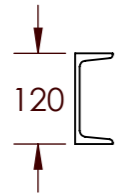
*This drawing is our property it can't be reproduced  
or communicated with out our written agreement*



<b>TITLE:</b>							
<b>DWG NO.:</b>		...					
<b>UNIT:</b>	MM	<b>MATERIAL:</b>					
<b>SCALE:</b>	1:X	<b>WEIGHT:</b>	X KG				
<b>DESIGNED:</b>	Hosseini	<b>DATE:</b>	1401/01/06	<b>SIZE:</b>	A4	<b>QUANTITY:</b>	.
<b>DRAWN:</b>	Hosseini	<b>REVISION:</b>	1	<b>HARDNESS:</b>	HRC		
<b>APPROVED:</b>	E.SOTOONEH	<b>STANDARD:</b>	ISO	<b>SHEET:</b>	1		

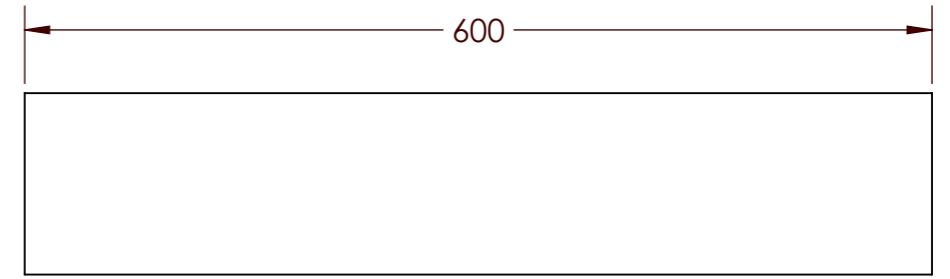
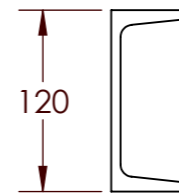
**A3-P15**

عدد ۵



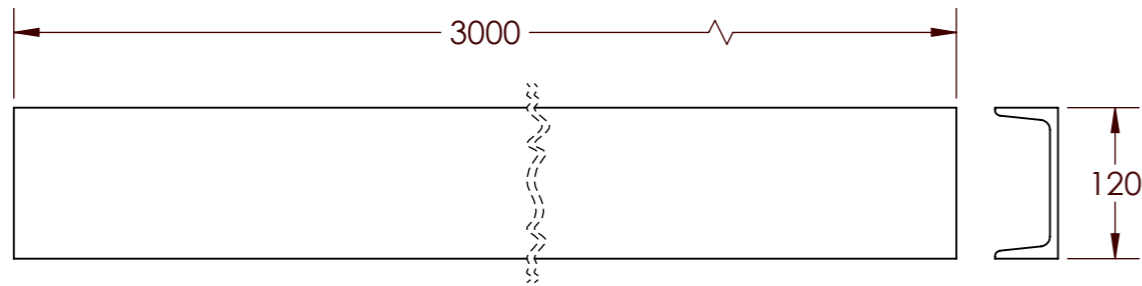
**A3-P16**

عدد ۴



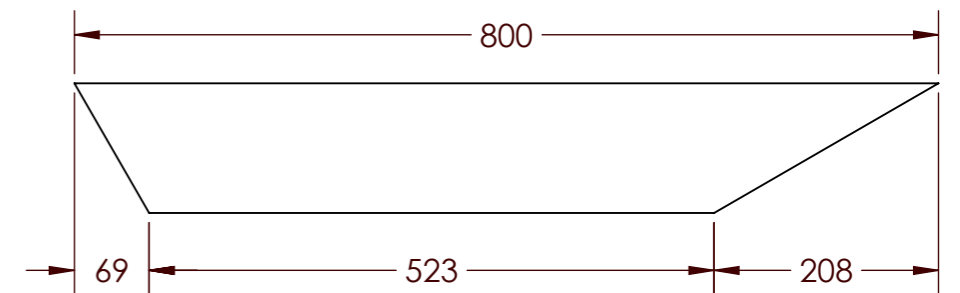
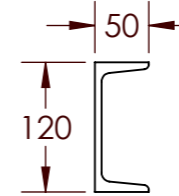
**A3-P17**

عدد ۱



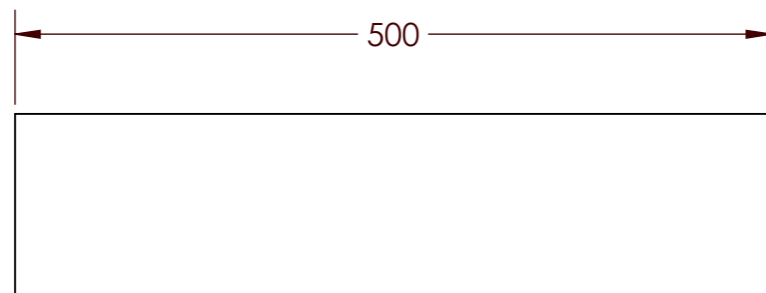
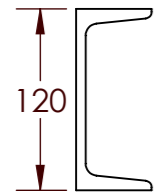
**A3-P18**

عدد ۲



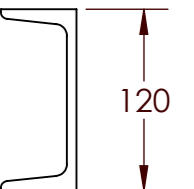
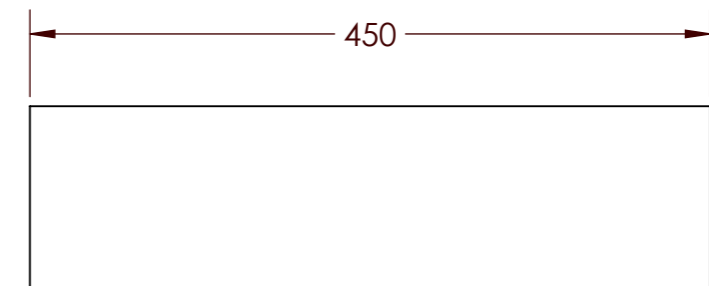
**A3-P19**

عدد ۲



**A3-P20**

عدد ۲

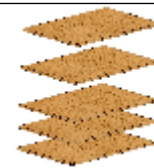


**TECHNICAL OFFICE SIGNATURES**

--	--

**MOMTAZ GOLESTAN  
PARTICLE BOARD CO**

This drawing is our property it can't be reproduced  
or communicated with out our written agreement

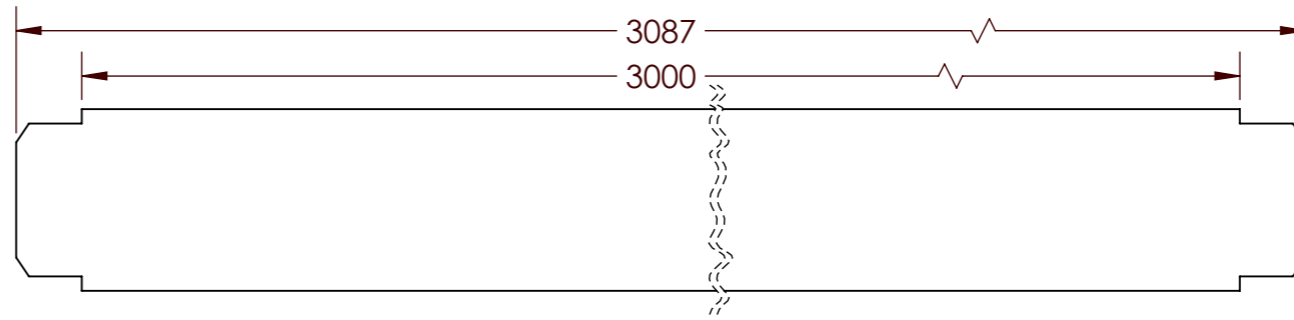
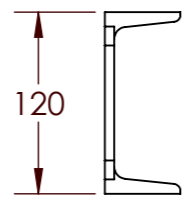


	NAME	DATE
DESIGNED:	Hosseini	1401/01/06
DRAWN:	Hosseini	1401/01/06
APPROVED:	E.SOTOONEH	

<b>TITLE:</b>			
DWG NO.:	...		
UNIT:	MM	MATERIAL:	
SCALE:	1:X	WEIGHT:	X KG
SIZE:	A4	QUANTITY:	.
REVISION:	1	HARDNESS:	HRC
STANDARD:	ISO	SHEET:	1

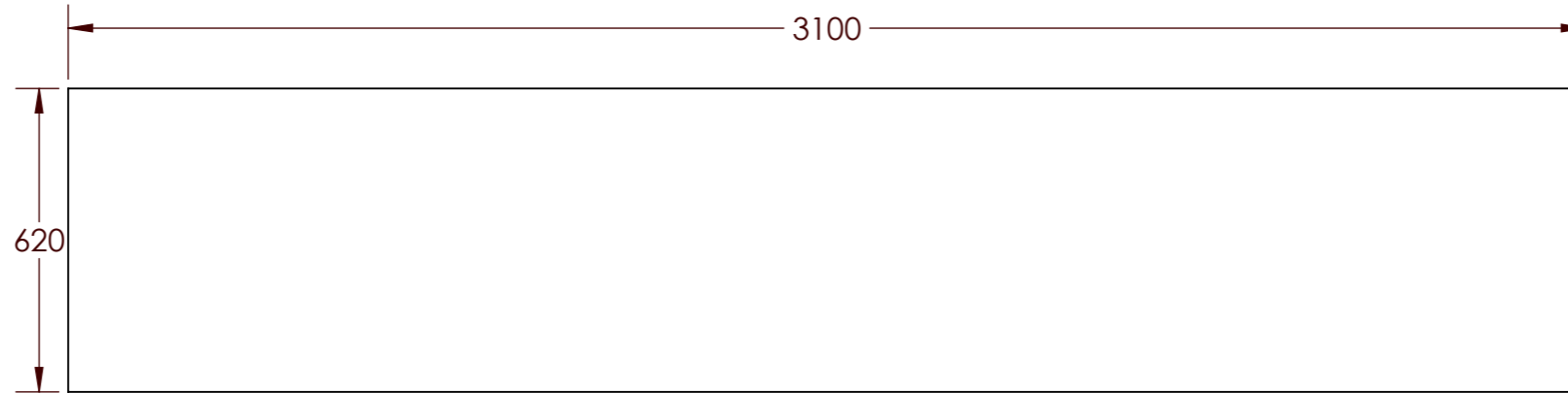
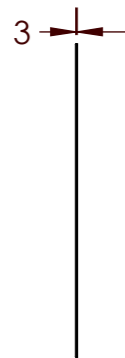
A3-P21

عدد ۲



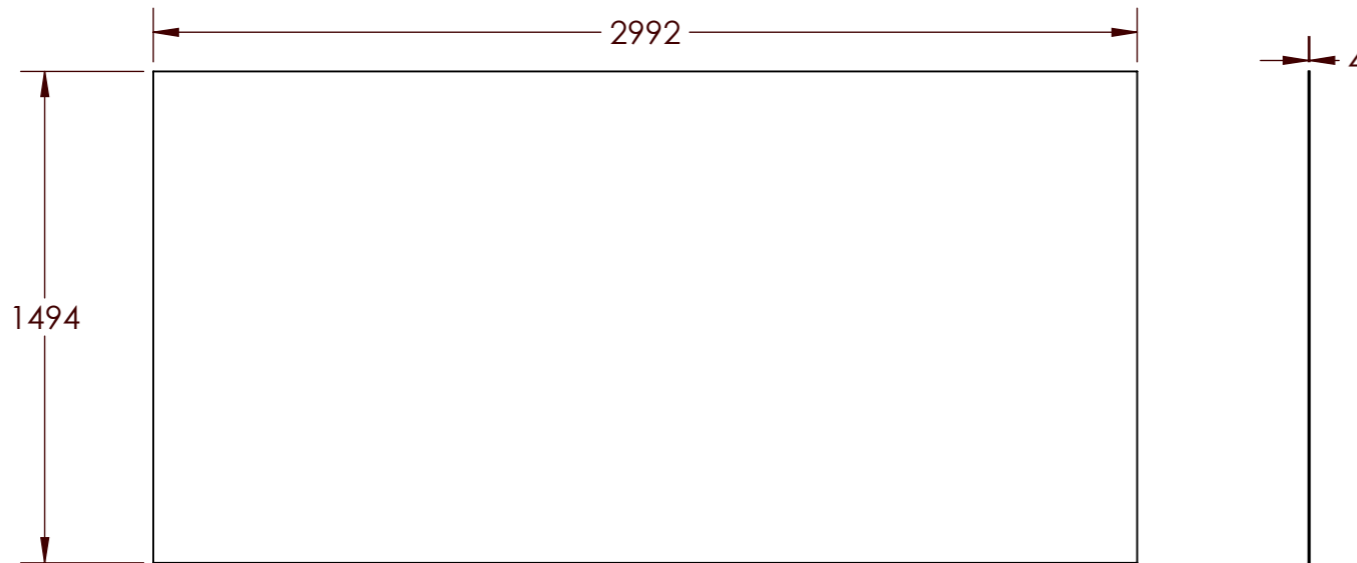
A3-P22

عدد ۱



A3-P23

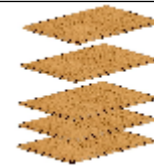
عدد ۱



TECHNICAL OFFICE SIGNATURES

MOMTAZ GOLESTAN PARTICLE BOARD CO

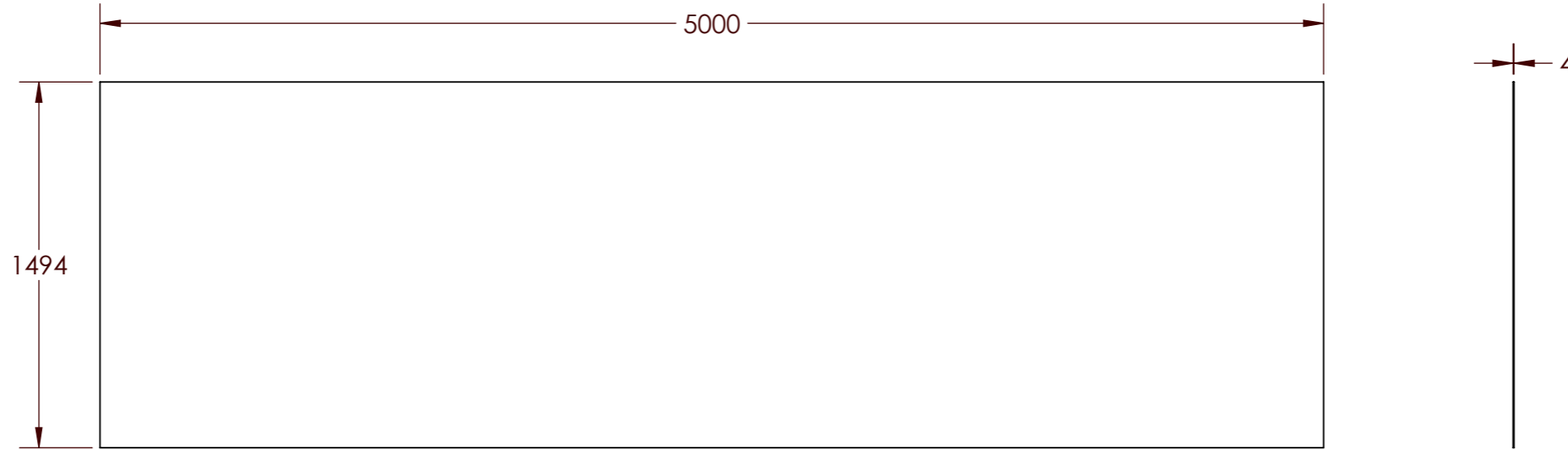
This drawing is our property it can't be reproduced or communicated with out our written agreement



TITLE:						
DWG NO.:		...				
UNIT:	MM	MATERIAL:				
DESIGNED:	NAME	DATE	SCALE:	1:X	WEIGHT:	X KG
DRAWN:	Hosseini	1401/01/06	SIZE:	A4	QUANTITY:	.
APPROVED:	Hosseini	1401/01/06	REVISION:	1	HARDNESS:	HRC
	E.SOTOONEH		STANDARD:	ISO	SHEET:	1

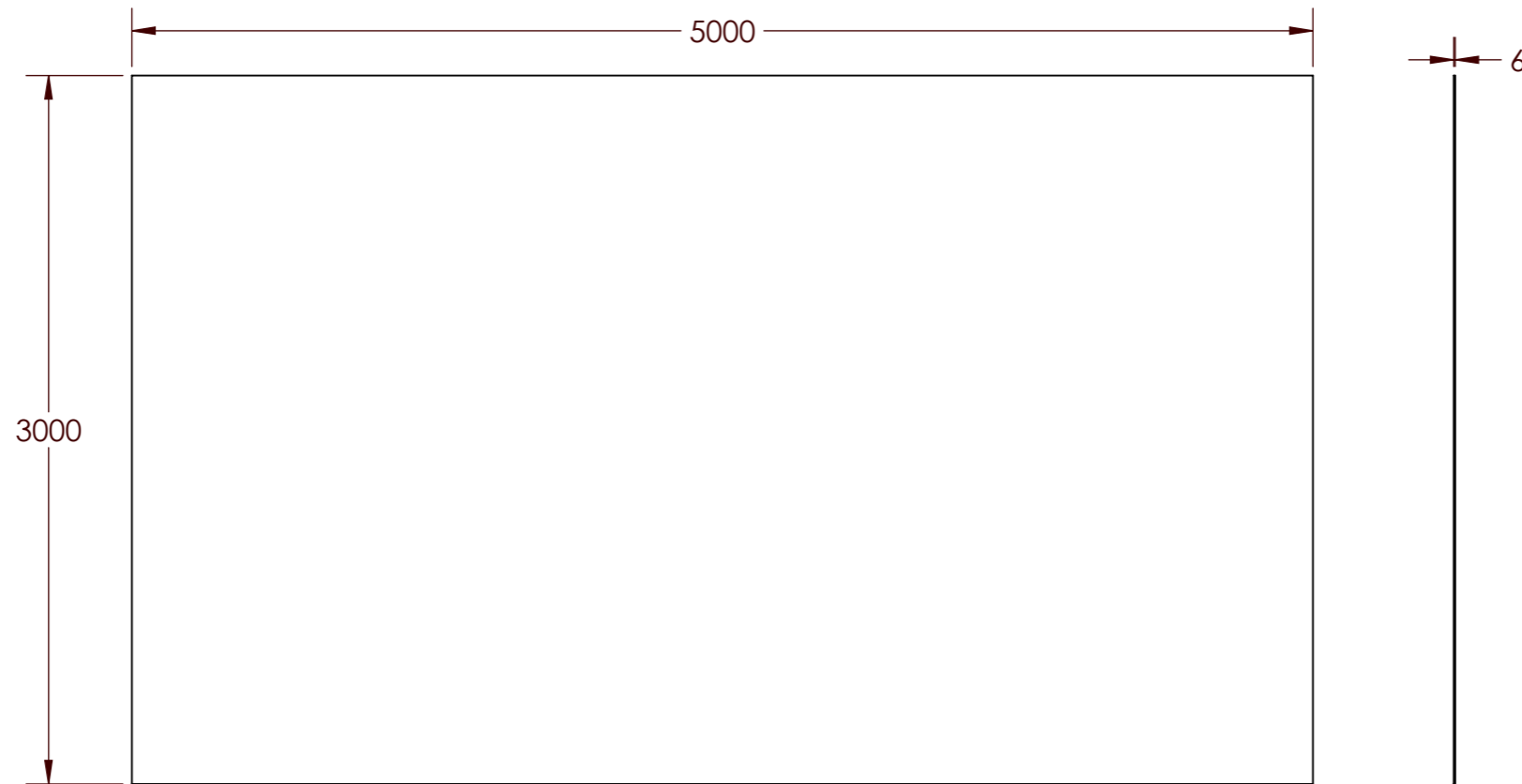
A3-P24

عدد ۲



A3-P25

عدد ۱

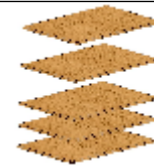


TECHNICAL OFFICE SIGNATURES

--	--

**MOMTAZ GOLESTAN  
PARTICLE BOARD CO**

This drawing is our property it can't be reproduced  
or communicated with out our written agreement

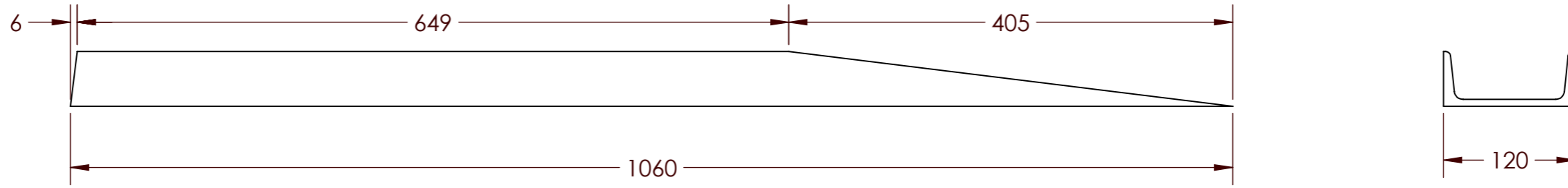


	NAME	DATE
DESIGNED:	Hosseini	1401/01/06
DRAWN:	Hosseini	1401/01/06
APPROVED:	E.SOTOONEH	

TITLE:			
DWG NO.:	...		
UNIT:	MM	MATERIAL:	
SCALE:	1:X	WEIGHT:	X KG
SIZE:	A4	QUANTITY:	.
REVISION:	1	HARDNESS:	HRC
STANDARD:	ISO	SHEET:	1

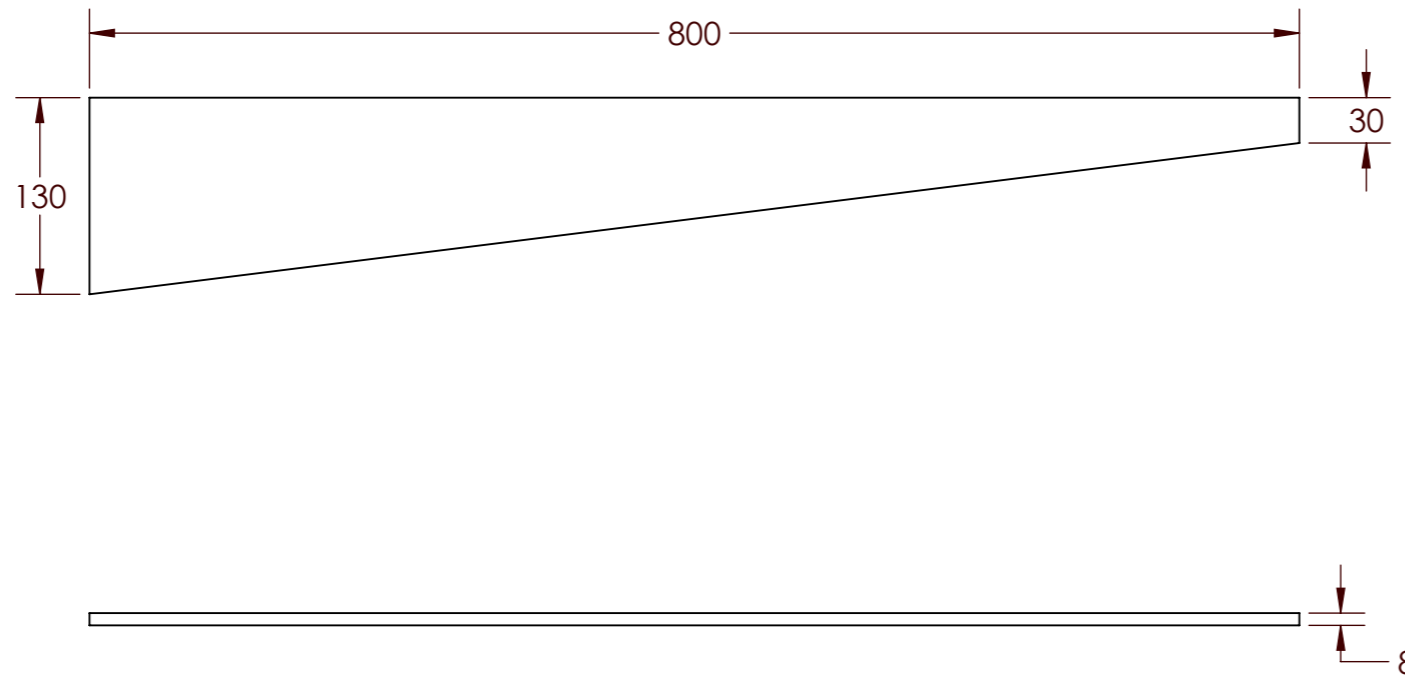
A3-P26

۲ عدد



A3-P27

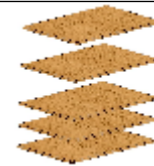
۲ عدد



TECHNICAL OFFICE SIGNATURES

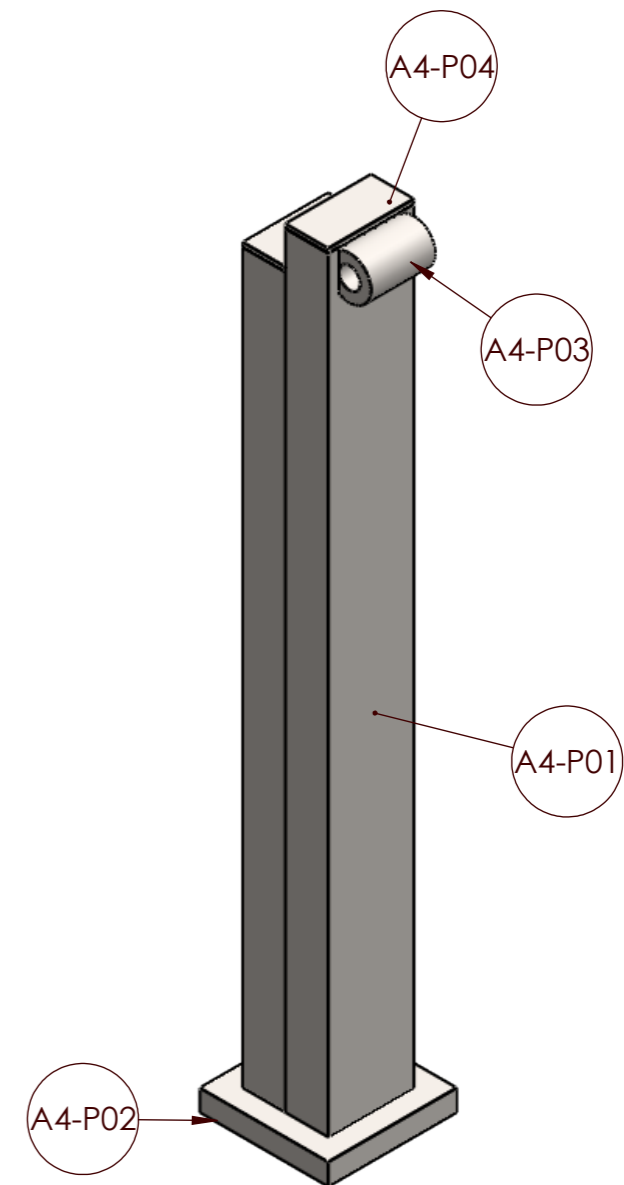
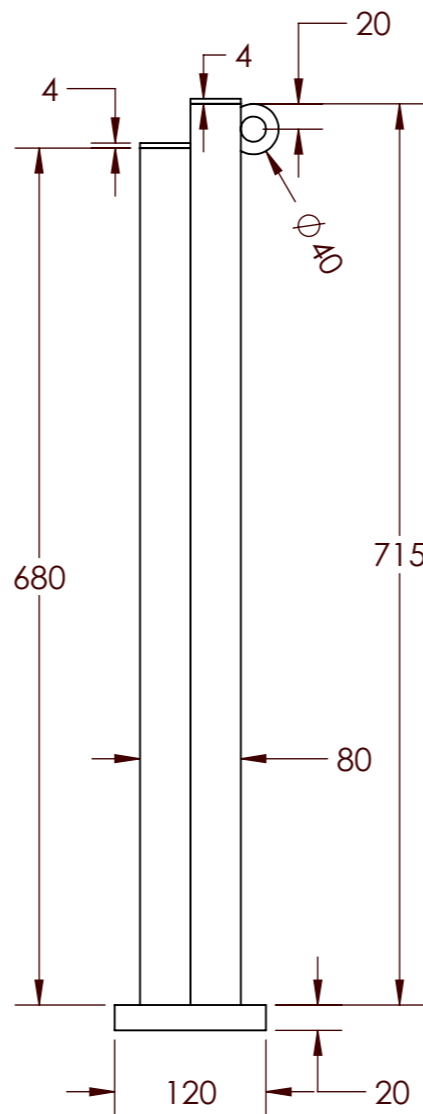
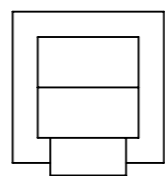
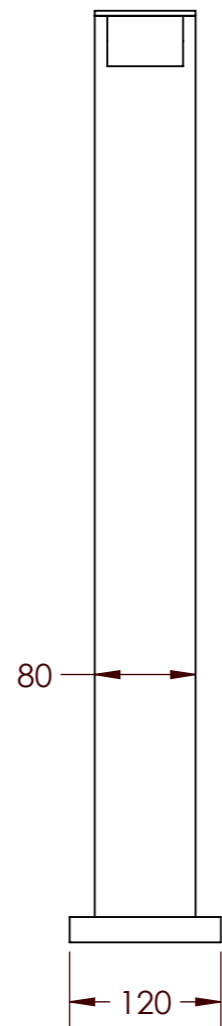
MOMTAZ GOLESTAN PARTICLE BOARD CO


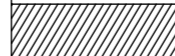
This drawing is our property it can't be reproduced or communicated with out our written agreement



TITLE:			
DWG NO.:	...		
UNIT:	MM	MATERIAL:	
SCALE:	1:X	WEIGHT:	X KG
DESIGNED:	Hosseini	DATE	1401/01/06
SIZE:	A4	QUANTITY:	.
DRAWN:	Hosseini	REVISION:	1
HARDNESS:	HRC	STANDARD:	ISO
APPROVED:	E.SOTOONEH	SHEET:	1

**A4**

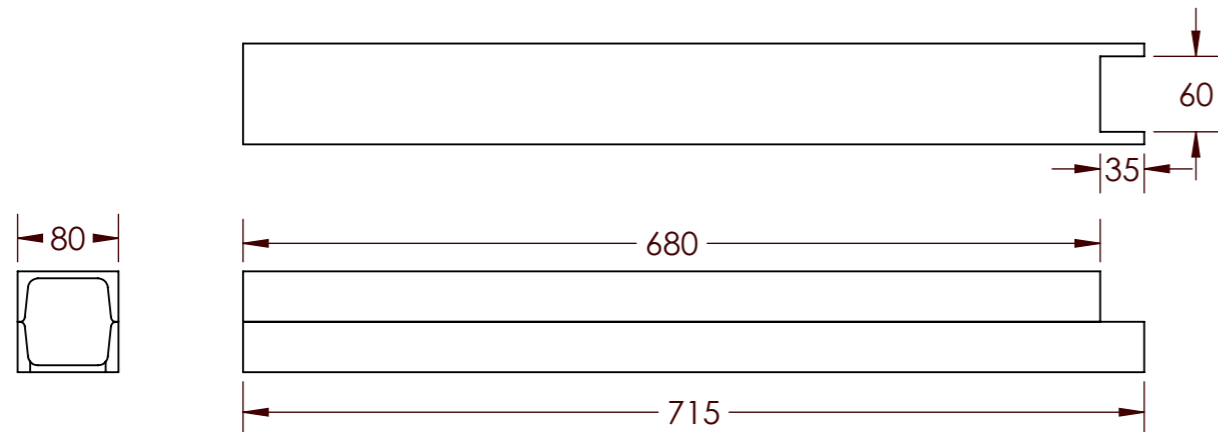


TECHNICAL OFFICE SIGNATURES		<b>MOMTAZ GOLESTAN</b> <b>PARTICLE BOARD CO</b> 		TITLE:							
		<small>This drawing is our property it can't be reproduced or communicated with out our written agreement</small>		DWG NO.:		...					
				UNIT:	MM	MATERIAL:					
				SCALE:	1:X	WEIGHT:	X KG				
				DESIGNED:	Hosseini	DATE:	1401/01/06	SIZE:	A4	QUANTITY:	.
				DRAWN:	Hosseini	DATE:	1401/01/06	REVISION:	1	HARDNESS:	HRC
				APPROVED:	E.SOTOONEH	STANDARD:	ISO	SHEET:	1		

A4-P01

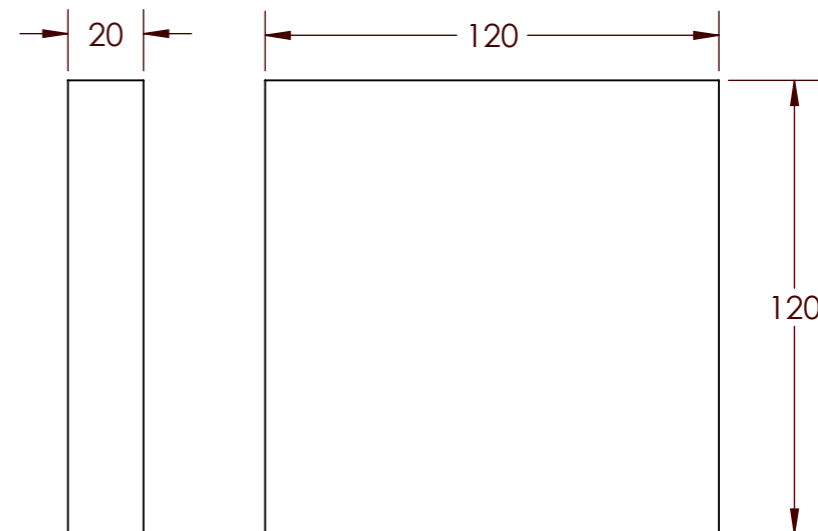
۱ عدد

ناودانی ۸ دویل



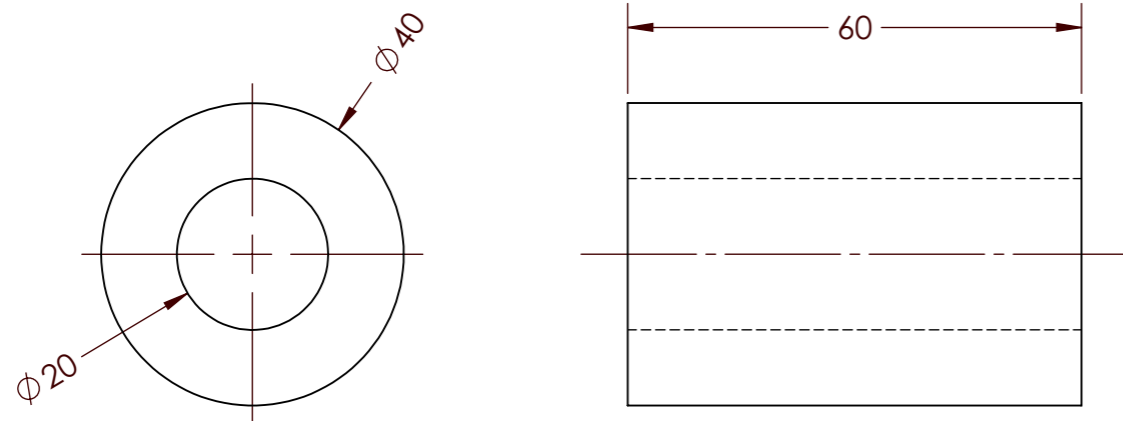
A4-P02

۱ عدد



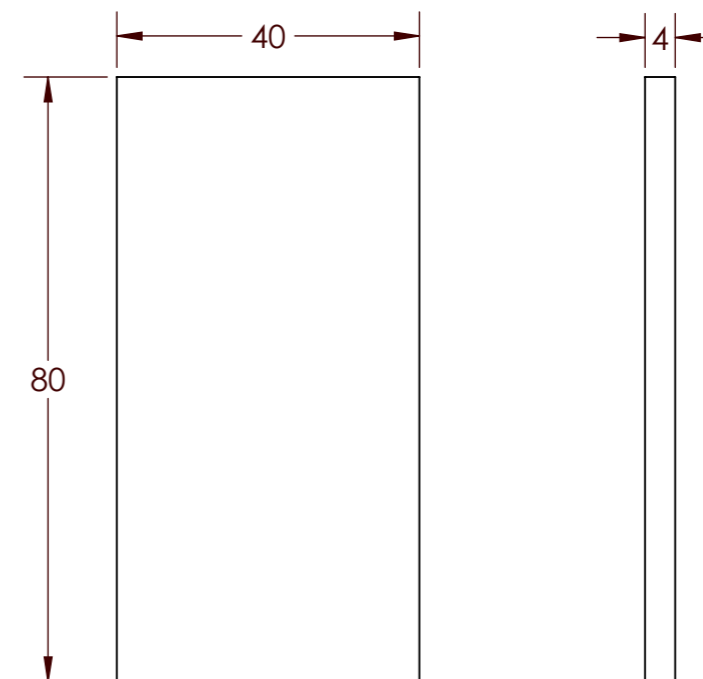
A4-P03

۱ عدد



A4-P04

۲ عدد



TECHNICAL OFFICE SIGNATURES

MOMTAZ GOLESTAN  
PARTICLE BOARD CO

This drawing is our property it can't be reproduced  
or communicated with out our written agreement



TITLE:

DWG NO.:

...

UNIT:

MM

MATERIAL:

SCALE:

1:X

WEIGHT:

X KG

DESIGNED:

Hosseini

DATE

1401/01/06

SIZE:

A4

QUANTITY:

.

DRAWN:

Hosseini

REVISION:

1

HARDNESS:

HRC

APPROVED:

E.SOTOONEH

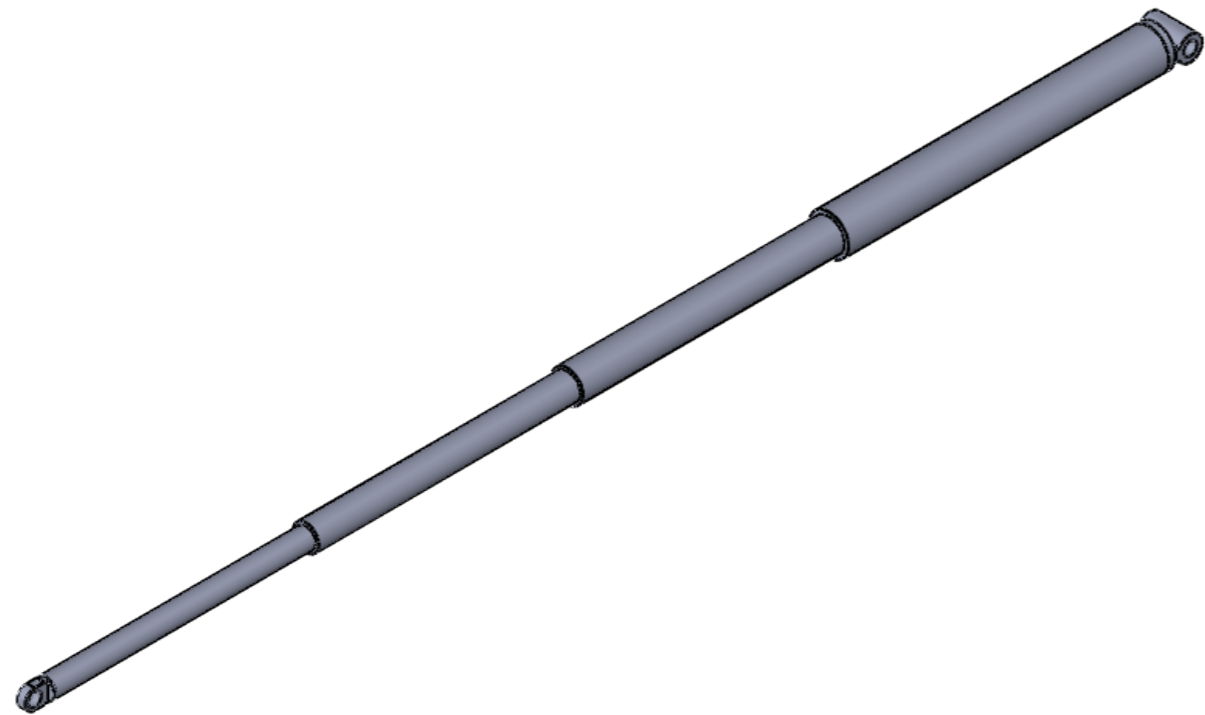
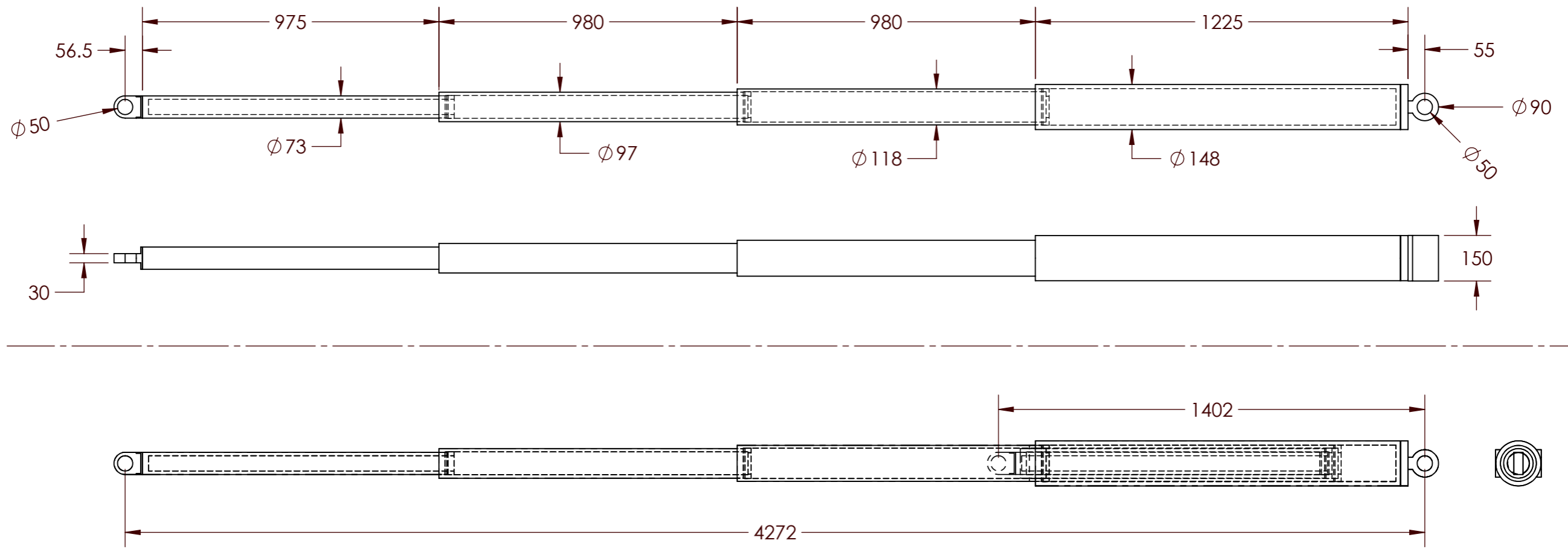
STANDARD:


ISO

SHEET:

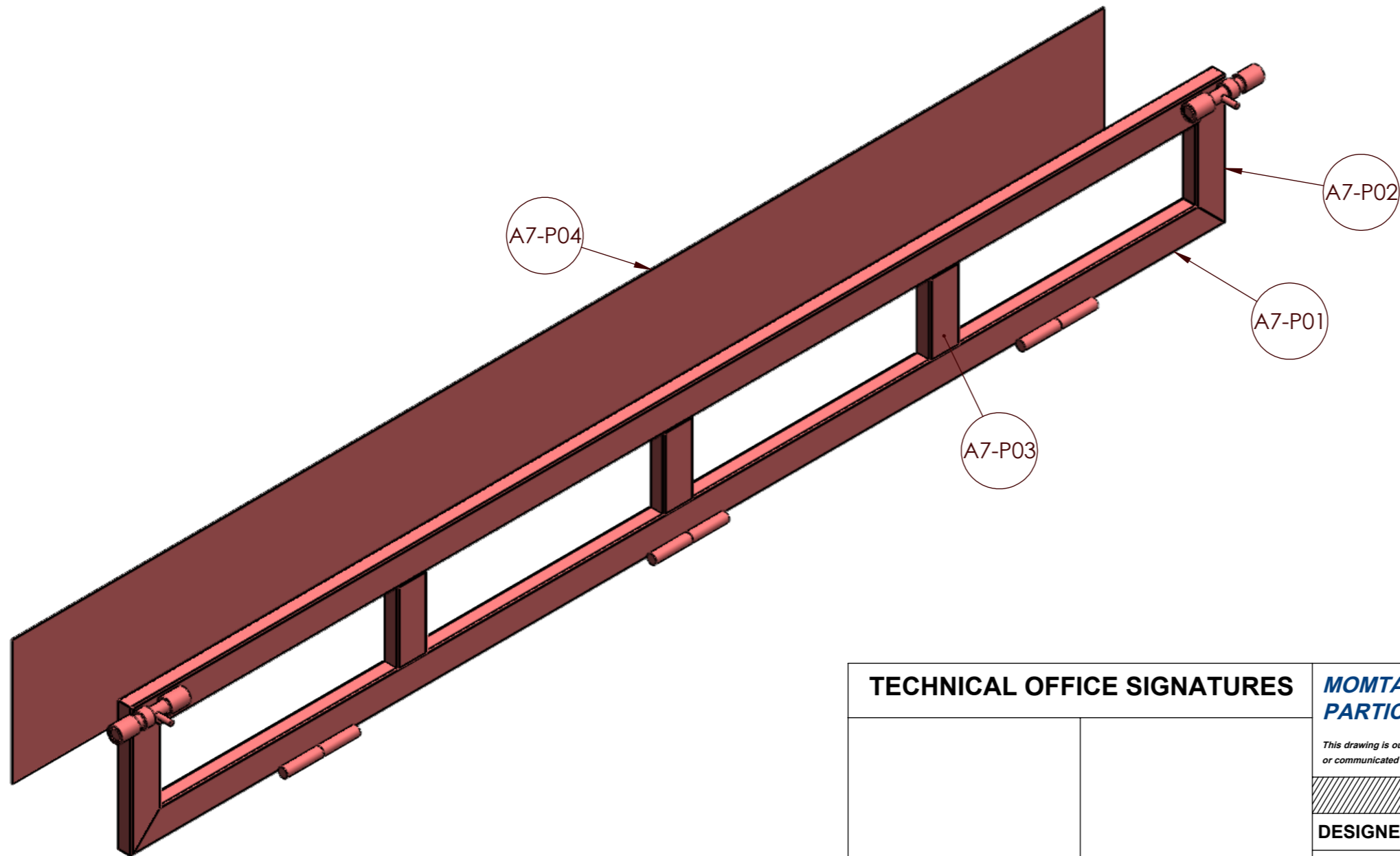
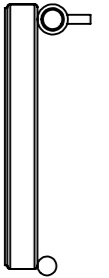
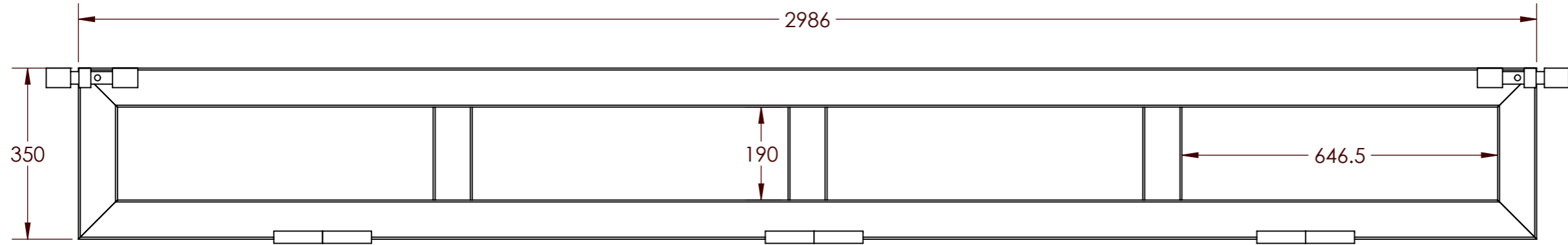
1

# A6



TECHNICAL OFFICE SIGNATURES		<b>MOMTAZ GOLESTAN</b> <b>PARTICLE BOARD CO</b>		<b>TITLE:</b> جک تلسکوپی تریلر یارد هیزم			
		<small>This drawing is our property it can't be reproduced or communicated with out our written agreement</small>		<b>DWG NO.:</b>			
				<b>UNIT:</b> MM		<b>MATERIAL:</b>	
				<b>SCALE:</b> 1:X		<b>WEIGHT:</b> X KG	
				<b>DESIGNED:</b> Hosseini		<b>DATE:</b> 1402/08/17	
				<b>DRAWN:</b> Hosseini		<b>SIZE:</b> A4	
				<b>APPROVED:</b> E.SOTOONEH		<b>REVISION:</b> 1	
				<b>STANDARD:</b> ISO		<b>QUANTITY:</b> .	
				<b>HARDNESS:</b> HRC		<b>SHEET:</b> 1	

# A7

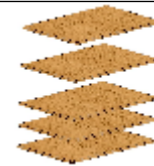


### TECHNICAL OFFICE SIGNATURES

--	--

**MOMTAZ GOLESTAN  
PARTICLE BOARD CO**

This drawing is our property it can't be reproduced  
or communicated with out our written agreement

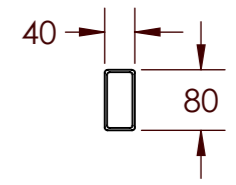
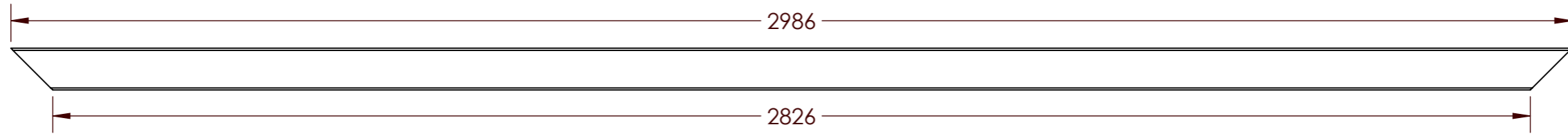


	NAME	DATE
DESIGNED:	Hosseini	1402/08/17
DRAWN:	Hosseini	1402/08/17
APPROVED:	E.SOTOONEH	

TITLE: جک تلسکوپی تریلر یارد هیزم	
DWG NO.:	
UNIT: MM	MATERIAL:
SCALE: 1:X	WEIGHT: X KG
SIZE: A4	QUANTITY: .
REVISION: 1	HARDNESS: HRC
STANDARD: ISO	SHEET: 1

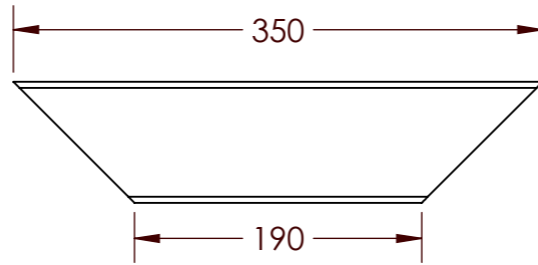
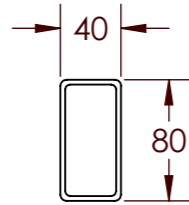
**A7-P01**

۲ عدد



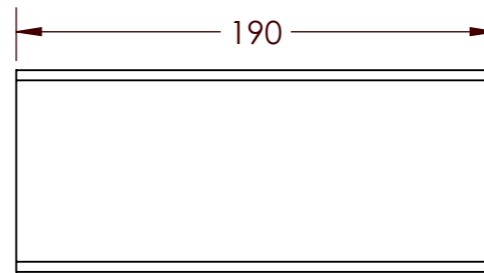
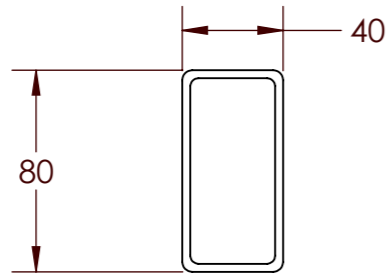
**A7-P02**

۲ عدد



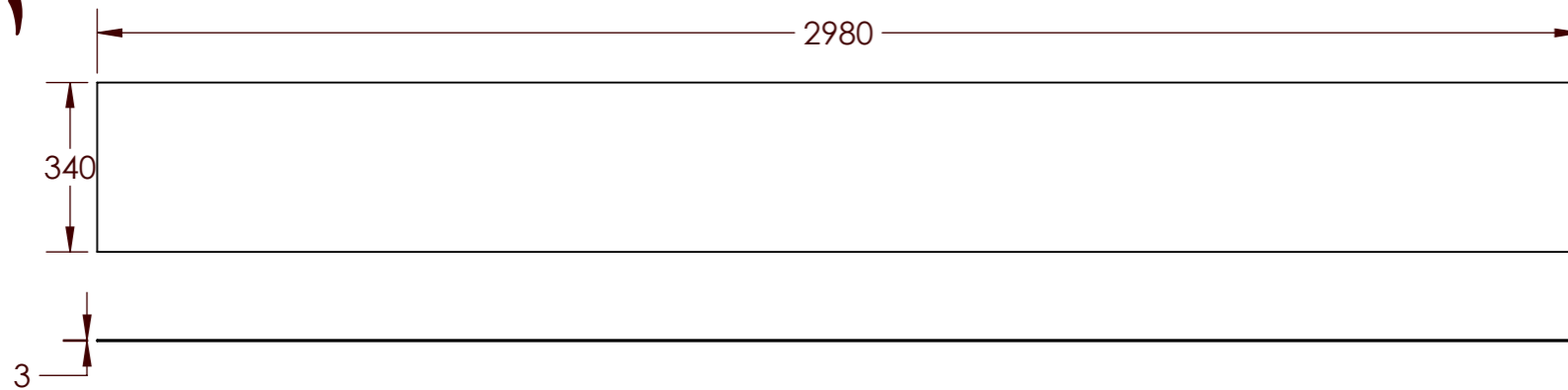
**A7-P03**

۳ عدد



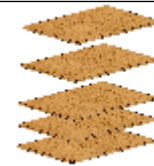
**A7-P04**

۱ عدد



**MOMTAZ GOLESTAN  
PARTICLE BOARD CO**

*This drawing is our property it can't be reproduced  
or communicated with out our written agreement*



**TITLE:** جک تلسکوپی تریلر یارد هیزم

**DWG NO.:**

**UNIT:**

**MM**

**MATERIAL:**

**DESIGNED:**

Hosseini

**DATE**

1402/08/17

**SCALE:**

A4

**WEIGHT:**

X KG

**DRAWN:**

Hosseini

**REVISION:**

1

**HARDNESS:**

HRC

**APPROVED:**

E.SOTOONEH

**STANDARD:**

ISO

**SHEET:**

1